

PLEASE CHECK WWW.MOLEX.COM FOR LATEST PART INFORMATION

Part Number: [0879209115](#)
Status: **Active**
Overview: C-Grid Connector Products
Description: 2.54mm Pitch C-Grid Header, Surface Mount, Dual Row, Vertical, 14 Circuits, 0.38µm Gold (Au) Plating, with Pick-and-Place Cap, without Peg, Tape on Reel Packaging, Lead-Free

Documents:

3D Model	Application Specification 713080001-AS-000 (PDF)
3D Model (PDF)	Packaging Specification PK-89990-479-001 (PDF)
Drawing (PDF)	RoHS Certificate of Compliance (PDF)
Product Specification PS-87920-019-001 (PDF)	

Agency Certification

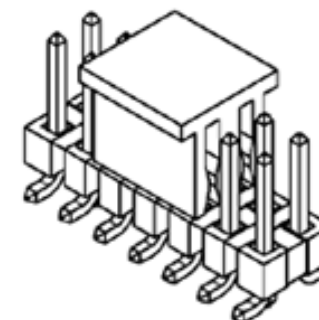
UL E29179

General

Product Family	PCB Headers
Series	87920
Application	Board-to-Board, Signal, Wire-to-Board
Overview	C-Grid Connector Products
Product Name	C-Grid
UPC	883906437107

Physical

Breakaway	Yes
Circuits (Loaded)	14
Circuits (maximum)	14
Color - Resin	Black
First Mate / Last Break	No
Flammability	94V-0
Glow-Wire Capable	No
Guide to Mating Part	No
Keying to Mating Part	None
Lock to Mating Part	None
Mated Height	6.10mm
Material - Metal	Copper Alloy
Material - Plating Mating	Gold
Material - Plating Termination	Tin
Material - Resin	High Temperature Thermoplastic
Net Weight	0.712/g
Number of Rows	2
Orientation	Vertical
PCB Locator	No
PCB Retention	None
PCB Thickness - Recommended	1.60mm
Packaging Type	Embossed Tape on Reel
Pitch - Mating Interface	2.54mm
Pitch - Termination Interface	2.54mm
Plating min - Mating	0.381µm
Plating min - Termination	2.032µm
Polarized to Mating Part	No
Polarized to PCB	No
Robotic Placement	Pick and Place Cap
Shrouded	No
Stackable	No
Temperature Range - Operating	-55° to +105°C



Series image - Reference only

EU ELV

Not Relevant

EU RoHS

Compliant

REACH SVHC

Not Contained Per -
D(2020)9139-DC (19
Jan 2021)

Halogen-Free

Status

Low-Halogen

For more information, please visit [Contact US](#)

China ROHS

ELV

RoHS Phthalates

China RoHS

Green Image

Not Relevant

Not Contained

Search Parts in this Series

[87920](#) Series

Mates With

[7859](#) Shunts, [71850](#) C-Grid PCB Receptacles, [70450](#) SL IDT Housing

Termination Interface: Style Surface Mount

Electrical

Current - Maximum per Contact 3.0A

Voltage - Maximum 250V

Solder Process Data

Duration at Max. Process Temperature (seconds) 010

Lead-free Process Capability REFLOW

Max. Cycles at Max. Process Temperature 003

Process Temperature max. C 260

Material Info

Reference - Drawing Numbers

Application Specification 713080001-AS-000

Packaging Specification PK-89990-479-001

Product Specification PS-87920-019-001

Sales Drawing SD-87920-020-001

This document was generated on 02/25/2021

PLEASE CHECK WWW.MOLEX.COM FOR LATEST PART INFORMATION