

**PLEASE CHECK WWW.MOLEX.COM FOR LATEST PART INFORMATION**

**Part Number:** **0878344011**  
**Status:** **Active**  
**Overview:** C-Grid® Products  
**Description:** 2.54mm Pitch C-Grid® Header, Dual Row, Low Profile, Vertical, Shrouded, Lead-Free, 40 Circuits, Gold (Au) Flash, Beige, PCB Locators, without End Window

**Documents:**

[3D Model](#) [Packaging Specification PK-87835-001 \(PDF\)](#)  
[Drawing \(PDF\)](#) [RoHS Certificate of Compliance \(PDF\)](#)  
[Product Specification PS-70246-100-001 \(PDF\)](#)

**Agency Certification**

UL E29179

**General**

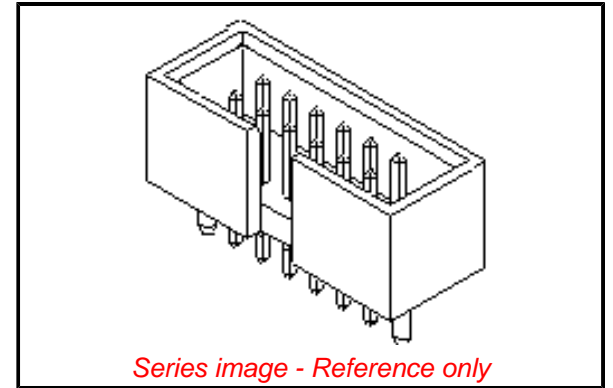
Product Family PCB Headers  
Series 87834  
Application Signal, Wire-to-Board  
Overview C-Grid® Products  
Product Name C-Grid®  
UPC 822348274956

**Physical**

Breakaway No  
Circuits (Loaded) 40  
Circuits (maximum) 40  
Color - Resin Natural  
First Mate / Last Break No  
Flammability 94V-0  
Glow-Wire Compliant No  
Guide to Mating Part No  
Keying to Mating Part None  
Lock to Mating Part None  
Material - Plating Mating Gold  
Material - Plating Termination Tin  
Material - Resin Nylon  
Net Weight 5.541/g  
Number of Rows 2  
Orientation Vertical  
PC Tail Length 3.43mm  
PCB Locator Yes  
PCB Retention Yes  
Packaging Type Tray  
Pitch - Mating Interface 2.54mm  
Pitch - Termination Interface 2.54mm  
Plating min - Mating 0.127µm  
Plating min - Termination 1.905µm  
Polarized to Mating Part Center Slot  
Polarized to PCB Yes  
Shrouded Fully  
Stackable No  
Temperature Range - Operating -55°C to +120°C  
Termination Interface: Style Through Hole

**Electrical**

Current - Maximum per Contact 2.5A  
Voltage - Maximum 250V DC



**EU ELV**

**Not Relevant**

**EU RoHS**

**Compliant**

**REACH SVHC**

Not Contained Per  
-ED/01/2017 (12  
January 2017)

**Halogen-Free**

**Status**

**Not Low-Halogen**

**Need more information on product environmental compliance?**

Email [productcompliance@molex.com](mailto:productcompliance@molex.com)  
Please visit the [Contact Us](#) section for any non-product compliance questions.

China ROHS

ELV

RoHS Phthalates

**China RoHS**

Green Image

Not Relevant

Not Contained

**Search Parts in this Series**

87834 Series

**Mates With**

1.27mm Pitch Ribbon Cable Connectors

**Solder Process Data**

Duration at Max. Process Temperature (seconds)	005
Lead-free Process Capability	WAVE
Max. Cycles at Max. Process Temperature	001
Process Temperature max. C	265

**Material Info****Reference - Drawing Numbers**

Packaging Specification	PK-87835-001
Product Specification	PS-70246-100-001
Sales Drawing	SD-87834-024

This document was generated on 03/17/2017

**PLEASE CHECK [WWW.MOLEX.COM](http://WWW.MOLEX.COM) FOR LATEST PART INFORMATION**