

PLEASE CHECK WWW.MOLEX.COM FOR LATEST PART INFORMATION

Part Number: [0504199101](#)
Status: **Planned for Obsolescence**
Description: 3.50mm (.138") Pitch Crimp Terminal 50419, Bag

Documents:

[3D Model](#) [Product Specification PS-51067-008 \(PDF\)](#)
[Drawing \(PDF\)](#) [RoHS Certificate of Compliance \(PDF\)](#)

General

Product Family	Crimp Terminals
Series	50419
Application	Power
Crimp Quality Equipment	Yes
Product Name	N/A

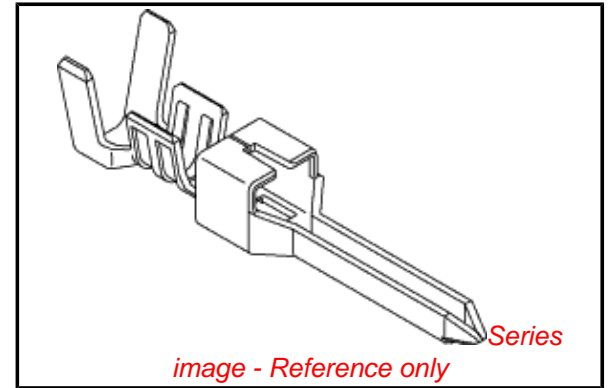
Physical

Gender	Male
Material - Metal	Brass
Material - Plating Mating	Tin
Material - Plating Termination	Tin
Packaging Type	Bag
Plating min - Mating	0.889µm (35µ")
Plating min - Termination	0.889µm (35µ")
Termination Interface: Style	Crimp or Compression
Wire Insulation Diameter	1.40-3.00mm (.055-.118")
Wire Size AWG	18, 20, 22, 24
Wire Size mm ²	N/A

Material Info

Reference - Drawing Numbers

Product Specification	PS-51067-008, RPS-51067-020
Sales Drawing	SD-50419-****



EU RoHS

**ELV and RoHS
Compliant**
**REACH SVHC
Contains SVHC: No**
**Low-Halogen Status
Low-Halogen**

China RoHS



**Need more information on product
environmental compliance?**

Email productcompliance@molex.com
 For a multiple part number RoHS Certificate of Compliance, [click here](#)

Please visit the [Contact Us](#) section for any non-product compliance questions.

Search Parts in this Series

50419Series

Mates With

50217

Use With

51114

Application Tooling | [FAQ](#)

Tooling specifications and manuals are found by selecting the products below. Crimp Height Specifications are then contained in the Application Tooling Specification document.

Japan

Description	Product #
Hand Extraction Tool	0573166000
Hand Crimp Tool	0573285000
Hand Crimp Tool	0573285100