

**PLEASE CHECK WWW.MOLEX.COM FOR LATEST PART INFORMATION**

**Part Number:** [0424750661](#)  
**Status:** **Active**  
**Overview:** Mini-Fit Family Power Connectors  
**Description:** Mini-Fit BMI Plug Housing, 4.20mm Pitch Dual Row with Panel Mount Ears, Nylon, Glow-Wire Capable, 6 Circuits, Black

**Documents:**

<a href="#">3D Model</a>	<a href="#">Product Specification PS-5556-002-001 (PDF)</a>
<a href="#">Drawing (PDF)</a>	<a href="#">Packaging Specification PK-42474-001-001 (PDF)</a>
<a href="#">3D Model (PDF)</a>	<a href="#">Test Summary 457500003-TS-000 (PDF)</a>
<a href="#">Product Specification 55560002-PS-CH-000 (PDF)</a>	<a href="#">Test Summary TS-42475-001-001 (PDF)</a>
<a href="#">Product Specification 55560002-PS-ES-000 (PDF)</a>	<a href="#">Test Summary TS-5556-002-001 (PDF)</a>
<a href="#">Product Specification 55560002-PS-SK-000 (PDF)</a>	<a href="#">RoHS Certificate of Compliance (PDF)</a>
<a href="#">Product Specification PS-45750-001-001 (PDF)</a>	

**Agency Certification**

CSA LR19980

**General**

Product Family	Crimp Housings
Series	<a href="#">42475</a>
Application	Power, Wire-to-Board, Wire-to-Wire
Comments	Current = 13A max. per circuit when header is mated to a receptacle loaded with <a href="#">45750</a> series terminals crimped to 16 AWG wire. . See Molex product specification PS-45750-001 for additional current derating information.
Overview	<a href="#">Mini-Fit Family Power Connectors</a>
Product Name	Mini-Fit BMI
UPC	889056760041

**Physical**

Circuits (maximum)	6
Color - Resin	Black
Flammability	94V-2
Gender	Plug
Glow-Wire Capable	Yes
Lock to Mating Part	None
Material - Resin	Nylon
Net Weight	3.444/g
Number of Rows	2
Packaging Type	Bag
Panel Mount	Yes
Pitch - Mating Interface	4.20mm
Pitch - Termination Interface	4.20mm
Polarized to Mating Part	Yes
Stackable	No
Temperature Range - Operating	-40° to +105°C

**Electrical**

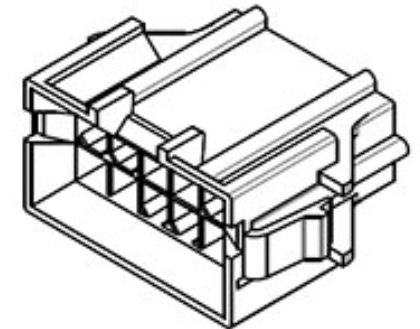
Current - Maximum per Contact 13.0A

**Solder Process Data**

Lead-freeProcess Capability N/A

**Material Info**

**Reference - Drawing Numbers**



Series image - Reference only

**EU ELV**

**Not Relevant**

**EU RoHS**

**Compliant**

**REACH SVHC**

Not Contained Per -  
D(2020)9139-DC (19  
Jan 2021)

**Halogen-Free**

**Status**

**Not Low-Halogen**

For more information, please visit [Contact US](#)

China ROHS

ELV

RoHS Phthalates

**China RoHS**

Green Image

Not Relevant

Not Contained

**Search Parts in this Series**

[42475 Series](#)

**Mates With**

[15060040](#) MiniFit BMI Panel Mount Receptacle, [42385](#) MiniFit BMI 4 Circuit, UL 94V2 Vertical Receptacle Headers, [444750411](#) MiniFit HCS BMI Vertical Receptacle Header

**Use With**

Mini-Fit Male Crimp Terminals [5558](#)  
<br>Mini-Fit Plus HCS Crimp Terminals [46012](#) <br>Mini-Fit Pre-Crimped Leads [797580005](#) , [797580013](#)

Packaging Specification  
Product Specification

Sales Drawing  
Test Summary

PK-42474-001-001  
55560002-PS-CH-000, 55560002-PS-ES-000,  
55560002-PS-SK-000, PS-45750-001-001,  
PS-5556-002-001  
SD-42475-XX51  
457500003-TS-000, TS-42475-001-001,  
TS-5556-002-001

This document was generated on 04/01/2021

**PLEASE CHECK [WWW.MOLEX.COM](http://WWW.MOLEX.COM) FOR LATEST PART INFORMATION**