

PLEASE CHECK WWW.MOLEX.COM FOR LATEST PART INFORMATION

Part Number: **0194270110**
Status: **Obsolete**
Description: 5.84mm (.230") Pitch MX150L™ Right Angle PCB Header, Single Row, with PCB Flange, Gold (Au) Plated, 2 Circuits

Documents:
[Drawing \(PDF\)](#)

Agency Certification

UL E152602

General

Product Family PCB Headers
 Series 19427
 Application Power, Wire-to-Board
 Product Name MX150L™

Physical

Breakaway No
 Circuits (Loaded) 2
 Circuits (maximum) 2
 Durability (mating cycles max) 100
 Flammability 94V-0
 Glow-Wire Compliant No
 Lock to Mating Part Yes
 Material - Plating Mating Gold
 Material - Plating Termination Tin
 Number of Rows 1
 Orientation Right Angle
 PC Tail Length 3.30mm (.130")
 PCB Locator Yes
 PCB Retention Yes
 PCB Thickness - Recommended 1.60mm (.063")
 Packaging Type Tray
 Pitch - Mating Interface 5.84mm (.230")
 Polarized to Mating Part Yes
 Polarized to PCB Yes
 Shrouded Fully
 Stackable No
 Surface Mount Compatible (SMC) No
 Temperature Range - Operating -40°C to +125°C
 Termination Interface: Style Through Hole

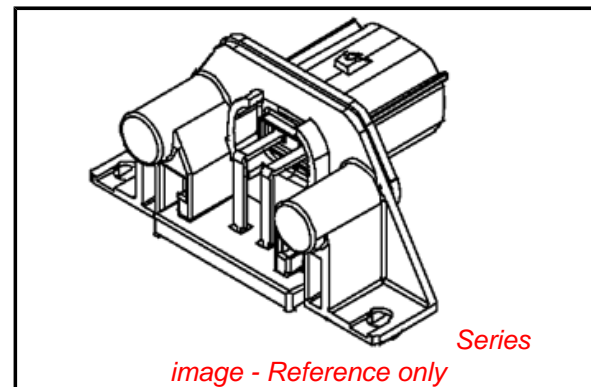
Electrical

Current - Maximum per Contact 18A
 Voltage - Maximum 600V

Material Info

Reference - Drawing Numbers

Product Specification PS-19427-001
 Sales Drawing SD-19427-010



EU RoHS

ELV and RoHS Compliant
REACH SVHC
 Not Reviewed
Low-Halogen Status
 Not Reviewed

China RoHS



Need more information on product environmental compliance?

Email productcompliance@molex.com
 For a multiple part number RoHS Certificate of Compliance, [click here](#)

Please visit the [Contact Us](#) section for any non-product compliance questions.

Search Parts in this Series

19427Series

Mates With

19418 Receptacle Assemblies