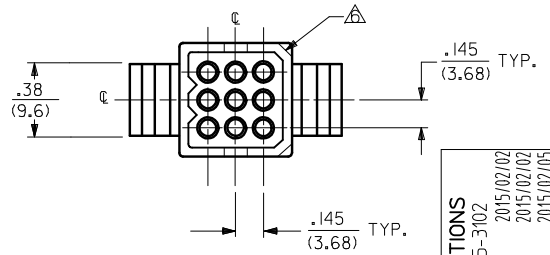
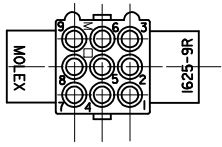


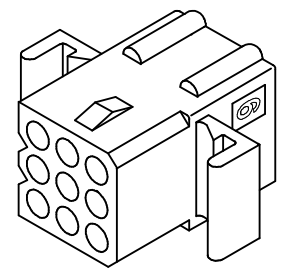
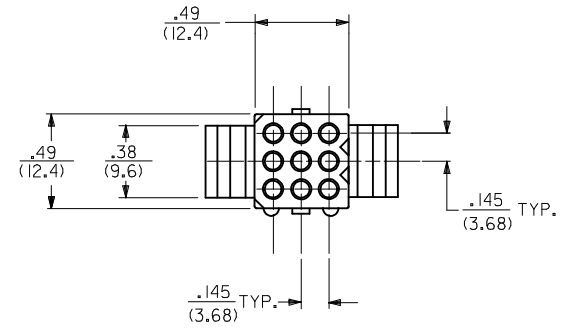
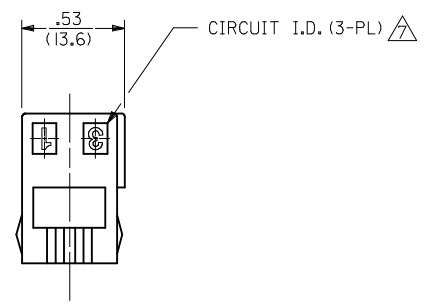
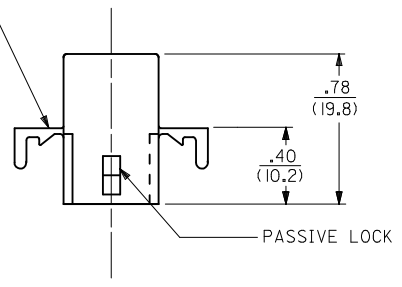
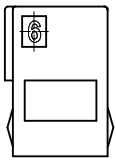
PLUG



CLARIFY OPTIONS EC NO: UCP2015-3102 DRWN:KIPPER 2015/02/02 CHKD:JBELL 2015/02/02 APPR:FSMITH 2015/02/05	QUALITY SYMBOLS	GENERAL TOLERANCES (UNLESS SPECIFIED)		DIMENSION STYLE	SCALE	DESIGN UNITS	THIRD ANGLE PROJECTION
	$\nabla = 0$	mm	INCH	IN/MM	1:1	INCH	
	$\nabla = 0$	4 PLACES \pm ---	\pm ---	DRAWN BY	DATE	TITLE	
	$\nabla = 0$	3 PLACES \pm ---	$\pm .010$	JJS	1988/02/05	.062/(1.57) HOUSINGS PLUG & RECEPTACLE 9 CKT., .145/(3.68) CTRS	
	$\nabla = 0$	2 PLACES ± 0.25	$\pm .014$	RW	1988/02/05	molex	
	1 PLACE ± 0.36	\pm ---	APPROVED BY	DATE	MATERIAL NO.	DOCUMENT NO.	SHEET NO.
	0 PLACE \pm ---	\pm ---	RAS	1988/02/05	SEE CHART	SD-1625-9*	1 OF 3
		ANGULAR $\pm 1/2^\circ$	DRAFT WHERE APPLICABLE MUST REMAIN WITHIN DIMENSIONS		THIS DRAWING CONTAINS INFORMATION THAT IS PROPRIETARY TO MOLEX INCORPORATED AND SHOULD NOT BE USED WITHOUT WRITTEN PERMISSION		



OPTIONAL MOUNTING EARS
SEE DETAIL 3 OR 4
FOR VERSIONS AVAILABLE



RECEPTACLE

SEE SHEET 1 EC NO: UCP2015-3102 DRW:MKLIPPER 2015/02/02 CHKD:JBELL 2015/02/02 APPR:FSMITH 2015/02/05	QUALITY SYMBOLS ▽=0 ▽=0 ▽=0	GENERAL TOLERANCES (UNLESS SPECIFIED)		DIMENSION STYLE	SCALE	DESIGN UNITS	THIRD ANGLE PROJECTION
		mm	INCH	IN/MM	1:1	INCH	
REV: S2	DESCRIPTION	4 PLACES	± .005	± .005	DRAWN BY	DATE	TITLE .062/(1.57) HOUSINGS PLUG & RECEPTACLE 9 CKT., .145/(3.68) CTRS molex DOCUMENT NO. SD-1625-9*
		3 PLACES	± .005	± .010	CHECKED BY	DATE	
		2 PLACES	± 0.25	± .014	RW	1988/02/05	
		1 PLACE	± 0.36	± .---	APPROVED BY	DATE	
		0 PLACE	± .---	± .---	RAS	1988/02/05	
ANGULAR ±1/2°		DRAFT WHERE APPLICABLE MUST REMAIN WITHIN DIMENSIONS		MATERIAL NO.	DOCUMENT NO.		SHEET NO.
				SEE CHART	SD-1625-9*		2 OF 3
				SIZE C	THIS DRAWING CONTAINS INFORMATION THAT IS PROPRIETARY TO MOLEX INCORPORATED AND SHOULD NOT BE USED WITHOUT WRITTEN PERMISSION		

9 CIRCUIT PLUG

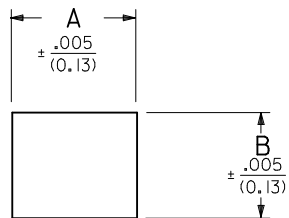
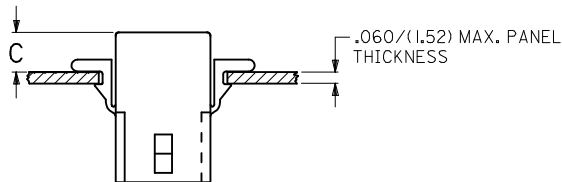
PART NO.	ENG. NO.	EARS	MATERIAL	COLOR
03-06-2091	1625-9P	STANDARD	A	NATURAL
03-06-2092	1625-9P1	NONE	A	NATURAL
X 23-06-2091	1625-9P-C	STANDARD	C	NATURAL
X 23-06-2092	1625-9P1-C	NONE	C	NATURAL
X 04-06-6091	1625-9P1-B	NONE	B	NATURAL
03-06-7091	1625-9PBK	STANDARD	A	BLACK

X=NOT TOOLED

9 CIRCUIT RECEPTACLE

PART NO.	ENG. NO.	EARS	MATERIAL	COLOR
03-06-1091	1625-9R	STANDARD	A	NATURAL
03-06-1092	1625-9R1	NONE	A	NATURAL
X 23-06-1092	1625-9R1-C	NONE	C	NATURAL
03-06-6092	1625-9R1BK	NONE	A	BLACK
50-36-1871	1625-9R4	PREBENT	A	NATURAL
X 50-36-1872	1625-9R4-C	PREBENT	C	NATURAL

X=NOT TOOLED



RECEP.	.650 (16.51)	.552 (14.02)	.21 (5.3)	.22 (5.6)
PLUG	.752 (19.10)	.615 (15.62)	.20 (5.1)	.21 (5.3)
PART	DIM. A	DIM. B	DIM. C (STANDARD EAR)	DIM. C (PREBENT EAR)

RECOMMENDED HOLE PATTERN

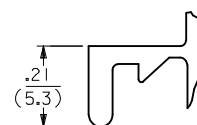
NOTES:

- MATERIAL CODES:
A-NYLON TYPE 6/6, 94V-2
B-NYLON TYPE 6/6, 94V-0
C-POLYPROPYLENE, 94V-0
- FINISH: NONE
- PRODUCT SPECIFICATION: PS-02-06
- PACKAGING SPECIFICATION: PK-1625-003
- HOUSINGS OF USE WITH MOLEX .062 DIAMETER TERMINALS.

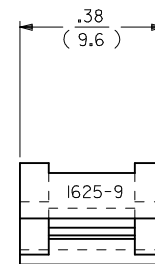
SOME PARTS MAY HAVE THIS CORNER CHAMFERED.

ETCHED CIRCUIT I.D. NUMBERS ON HOUSING MAY OR MAY NOT BE PRESENT.

- PARTS CONFORM TO CLASS B REQUIREMENTS OF COSMETIC SPECIFICATION PS-45499-002.



DETAIL 3
STANDARD MOUNTING EAR
(SCALE 4:1)



DETAIL 4
PREBENT MOUNTING EAR
(SCALE 4:1)

REV	DESCRIPTION	QUALITY SYMBOLS	GENERAL TOLERANCES (UNLESS SPECIFIED)		DIMENSION STYLE		SCALE	DESIGN UNITS	THIRD ANGLE PROJECTION	
			mm	INCH	IN/MM	DATE				
S2	SEE SHEET 1 EC NO: UCP2015-3102 DRW:WKIPPER 2015/02/02 CHKD:JBELL 2015/02/02 APPR:FSMITH 2015/02/05	= 0 = 0 = 0	4 PLACES	± .010	± .010	DRAWN BY	JJS	DATE	1988/02/05	
			3 PLACES	± .010	± .010	CHECKED BY	RW	DATE	1988/02/05	
			2 PLACES	± 0.25	± .014	APPROVED BY	RAS	DATE	1988/02/05	
			1 PLACE	± 0.36	± .---	MATERIAL NO.	SEE CHART		DOCUMENT NO.	SD-1625-9*
			0 PLACE	± .---	± .---	ANGULAR	±1/2°		SHEET NO.	3 OF 3
			DRAFT WHERE APPLICABLE MUST REMAIN WITHIN DIMENSIONS			THIS DRAWING CONTAINS INFORMATION THAT IS PROPRIETARY TO MOLEX INCORPORATED AND SHOULD NOT BE USED WITHOUT WRITTEN PERMISSION				