

PLEASE CHECK WWW.MOLEX.COM FOR LATEST PART INFORMATION

Part Number: [0015251403](#)
Status: **Planned for Obsolescence**
Description: QF-50™ Strain Relief 40 circuits

Documents:

| | |
|---|---|
| 3D Model | Product Specification PS-5320-005 (PDF) |
| Drawing (PDF) | RoHS Certificate of Compliance (PDF) |
| Product Specification PS-5320-002 (PDF) | |

Agency Certification

| | |
|----|--------|
| UL | E29179 |
|----|--------|

General

| | |
|----------------|---------------|
| Product Family | Accessories |
| Series | 5328 |
| Component Type | Strain Relief |
| Product Name | QF-50™ |

Physical

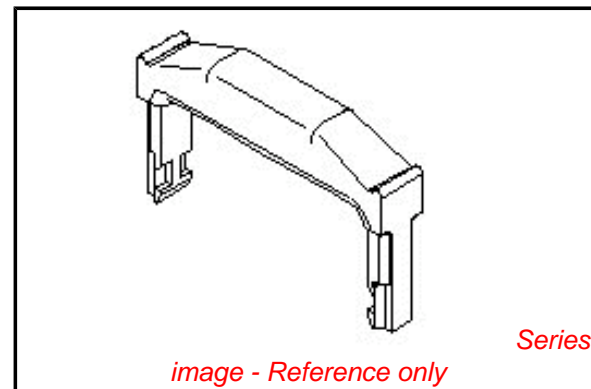
| | |
|-------------------------------|-----------------|
| Circuits (Loaded) | 40 |
| Flammability | 94V-0 |
| Gender | Female |
| Packaging Type | Bag |
| Temperature Range - Operating | -40°C to +105°C |

Material Info

| | |
|-----------------|---------|
| Old Part Number | 5328-40 |
|-----------------|---------|

Reference - Drawing Numbers

| | |
|-----------------------|--------------------------|
| Product Specification | PS-5320-002, PS-5320-005 |
| Sales Drawing | SD-5328-N |



EU RoHS

**ELV and RoHS
Compliant**
**REACH SVHC
Contains SVHC: No
Low-Halogen Status
Not Low-Halogen**

China RoHS



**Need more information on product
environmental compliance?**

Email productcompliance@molex.com
 For a multiple part number RoHS Certificate of
 Compliance, [click here](#)

Please visit the [Contact Us](#) section for any
 non-product compliance questions.

Search Parts in this Series

5328Series

Use With

5320-NA , 5320-NB

PLEASE CHECK WWW.MOLEX.COM FOR LATEST PART INFORMATION