

**PLEASE CHECK WWW.MOLEX.COM FOR LATEST PART INFORMATION**

**Part Number:** [0008700001](#)  
**Status:** **Active**  
**Description:** 4.80mm Pitch Crimp Terminal, Female, Reel

**Documents:**

[Drawing \(PDF\)](#) [Product Specification PS-5025-002 \(PDF\)](#)  
[Product Specification PS-5025-001 \(PDF\)](#) [RoHS Certificate of Compliance \(PDF\)](#)

**General**

Product Family Crimp Terminals  
 Series [5005](#)  
 Application Power  
 Crimp Quality Equipment Yes  
 Product Name N/A  
 UPC 800753614277

**Physical**

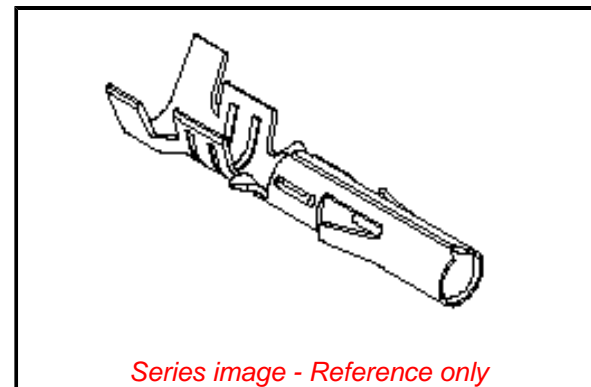
Gender Female  
 Material - Metal Brass  
 Material - Plating Mating Tin  
 Material - Plating Termination Tin  
 Net Weight 150.200/mg  
 Packaging Type Reel  
 Plating min - Mating 0.889µm  
 Plating min - Termination 0.889µm  
 Termination Interface: Style Crimp or Compression  
 Wire Insulation Diameter 1.30-3.00mm  
 Wire Size AWG 18, 20, 22, 24  
 Wire Size mm<sup>2</sup> N/A

**Material Info**

Engineering Number 5005T

**Reference - Drawing Numbers**

Crimp Specification [CS-5005~5006](#)  
 Product Specification [PS-5025-001](#), [PS-5025-002](#)  
 Sales Drawing [SD-5005X](#)



**EU ELV**

**Not Relevant**

**EU RoHS**

**Compliant**

**REACH SVHC**

Not Contained Per -  
 D(2020)9139-DC (19  
 Jan 2021)

**Halogen-Free**

**Status**

**Low-Halogen**

For more information, please visit [Contact US](#)

China ROHS

ELV

RoHS Phthalates

**China RoHS**

Green Image

Not Relevant

Not Contained

**Search Parts in this Series**

[5005 Series](#)

**Mates With**

[5006](#)

**Use With**

[5025 Receptacle](#)

**Application Tooling | [FAQ](#)**

*Tooling specifications and manuals are found by selecting the products below. Crimp Height Specifications are then contained in the Application Tooling Specification document.*

**Global**

| Description   | Product #                 |
|---|---------------------------|
| Terminator Die  | <a href="#">11402064</a>  |
| Hand Crimp Tool for Standard 1.57mm Pin and Socket Crimp Terminals, 18-24 AWG | <a href="#">638191300</a> |
| Mini-Mac Applicator   | <a href="#">638936000</a> |

**Japan**

| Description  | Product #         |
|--|-------------------|
| Applicator for M211A<br>Bench Press, 14-28<br>AWG Wire   | <u>11260034</u>   |
| S-1 Applicator<br>for 4.80mm Pitch<br>Male and Female<br>Crimp Terminals,<br>18-24 AWG, Wire<br>Insulation Diameter<br>2.30-3.00mm | <u>2023933700</u> |
| S-1 Applicator<br>for 4.80mm Pitch<br>Male and Female<br>Crimp Terminals,<br>18-24 AWG, Wire<br>Insulation Diameter<br>1.30-2.70mm | <u>2023933710</u> |

This document was generated on 03/03/2021

**PLEASE CHECK [WWW.MOLEX.COM](http://WWW.MOLEX.COM) FOR LATEST PART INFORMATION**