



Cable Glands

Sealing Glands



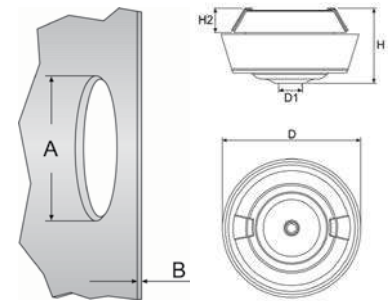
Click Seal | TSS | IP65 Rating

Click Seal Metric									
Part Number	Color	Size	IP65 Diameter Range (mm)	A Mounting Hole Clearance (mm)	B Panel Thickness Range (mm)	H1 (mm)	H2 (mm)	D1 (mm)	D (mm)
SGL-M20-TGY	Gray	M20	4 - 11	20.5	2 - 5	17 - 20	5.5	4.0	29.3 - 34.5
SGL-M25-TGY	Gray	M25	4 - 13	25.5	2 - 5	17 - 20	5.5	5.0	34.3 - 40.0

For volume use, black or light gray glands are available. Please consult the factory for part numbers and availability.

Specifications:

Body: TPE (Thermoplastic Elastomer) and Polyamide
 Temperature: -20°C to +125°C (-4° to +257°F)
 Protection: IP65



Height of only 17-20 mm, 5.7 mm on the outside irrespective of size.
 Cable glands are approx. 30-40 mm.

Handles large range of cable and pipe diameters.

Installation time saving up to 90%.

Integrated tension relief

"Pushout" membrane

Ergonomic installation

Self-adjusting to wall thickness 2 - 5 mm.

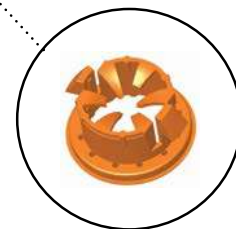
Fixed in both directions when mounted.

Space saving design

Click Seal means no material compression during installation.

Rubber coated tension relief for protection of the cable mantle.

Fixed IP67 / IP65



Cable Glands & Adapters

U