

Ethernet (M12) Series Etherplug Receptacles

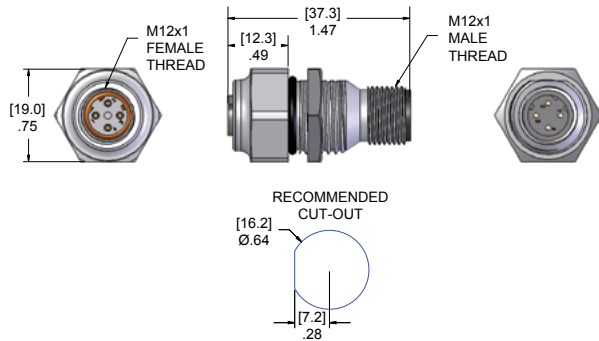
4 & 8 Conductor Ethernet Series Receptacles



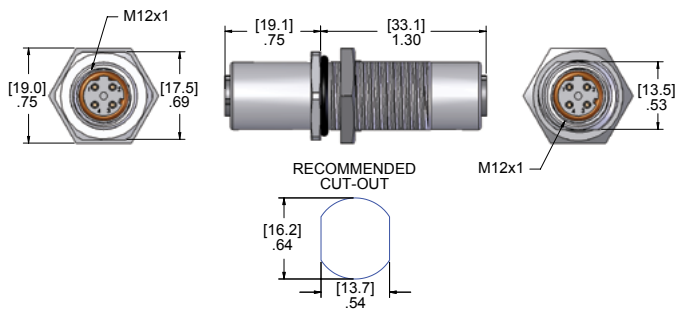
Through Panel Mount Receptacles | IP69/IP67 Rating

# of Poles	Rating	Wiring		Part Number	
				Male to Female	Female to Female
<p>4</p> <p>D-Coded IP69</p>	<p>300V 4A</p>	<p>1 to 1 2 to 2 3 to 3 4 to 4</p>		<p>MDE45-4MFR-TM</p>	<p>MDE45-4FFR-TM</p>
<p>8</p> <p>A-Coded IP67</p>	<p>60V 2A</p>	<p>1 to 1 2 to 2 3 to 3 4 to 4</p>	<p>5 to 5 6 to 6 7 to 7 8 to 8</p>	<p>MDC-8MFR-TM</p>	<p>MDC-8FFR-TM</p>

Male to Female



Female to Female



Specifications:

Shell: Nickel Plated Brass
 Insulator: Polyamide
 Contacts: Copper Alloy with Gold Plating

O-Ring: NBR
 Jam Nut: Nickel Plated Brass
 Temperature: -40°C to 105°C (-40°F to +221°F)

Ethernet Series

L