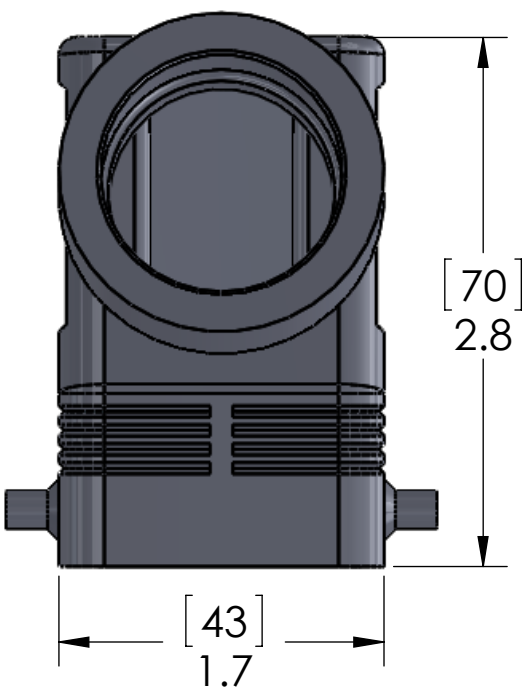
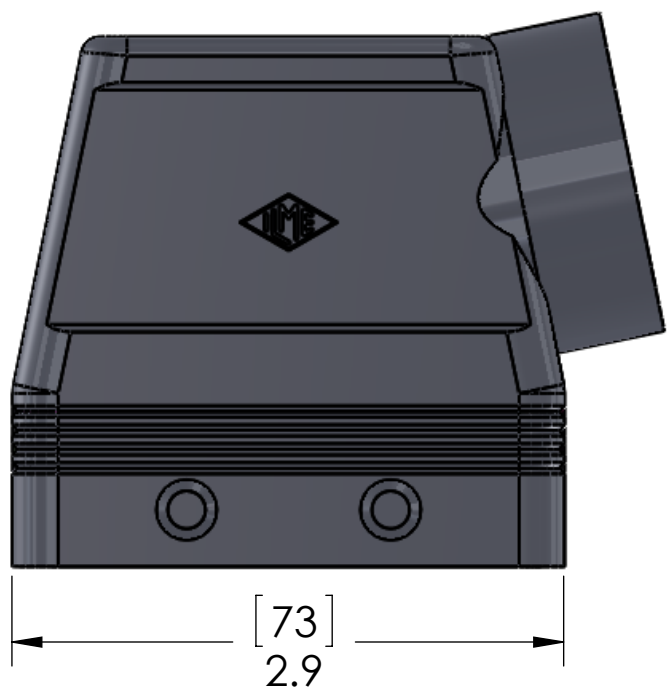
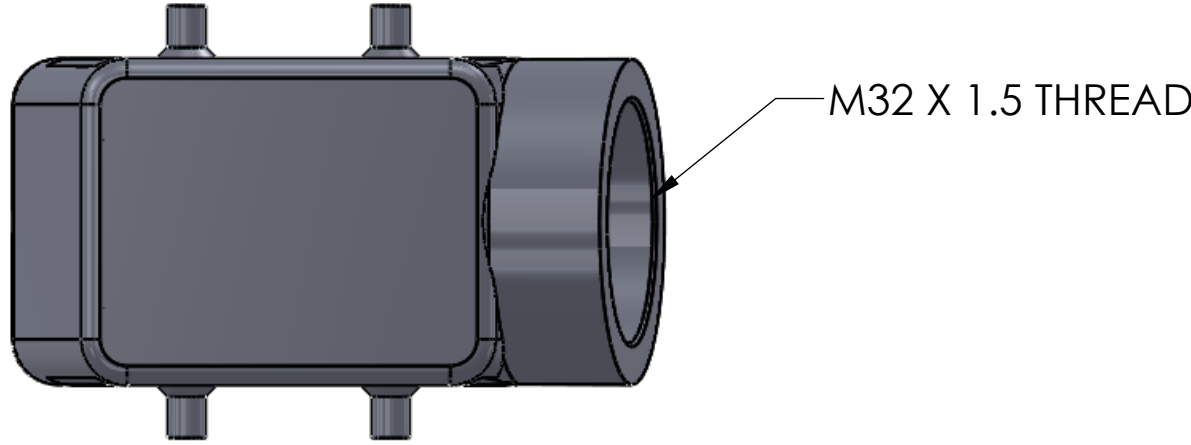


REVISIONS			
REV.	DESCRIPTION	DATE	APPROVED
A	REDRAWN IN SW	4/3/2012	DCT



HOUSING MATERIALS	
BODY:	EPOXY COATED DIE CAST ALUMINUM
APPROVALS:	
US	UL RECOGNIZED
CANADA	C-UL RECOGNIZED
MENCORP CORPORATION	
TITLE:	
SIZE	DWG. NO.
B	MAO-10.32
SCALE: 1:1	WEIGHT:
REV	SHEET 1 OF 1
A	

UNLESS OTHERWISE SPECIFIED:	
DIMENSIONS ARE IN INCHES AND [MM]	
MATERIAL	NAME
FINISH	CAM
DO NOT SCALE DRAWING	

PROPRIETARY AND CONFIDENTIAL
 THE INFORMATION CONTAINED IN THIS DRAWING IS THE SOLE PROPERTY OF MENCORP CORPORATION. ANY REPRODUCTION IN PART OR AS A WHOLE WITHOUT THE WRITTEN PERMISSION OF MENCORP CORPORATION IS PROHIBITED.

SEAL RATING OF IP 65 ONLY ACHIEVED WHEN FULLY LATCHED TO MATING BASE AND WITH AN APPROPRIATE SEALING GLAND INSTALLED