



JDC (M12) Junction Blocks

6 Port, 5 Pin JDC Junction blocks

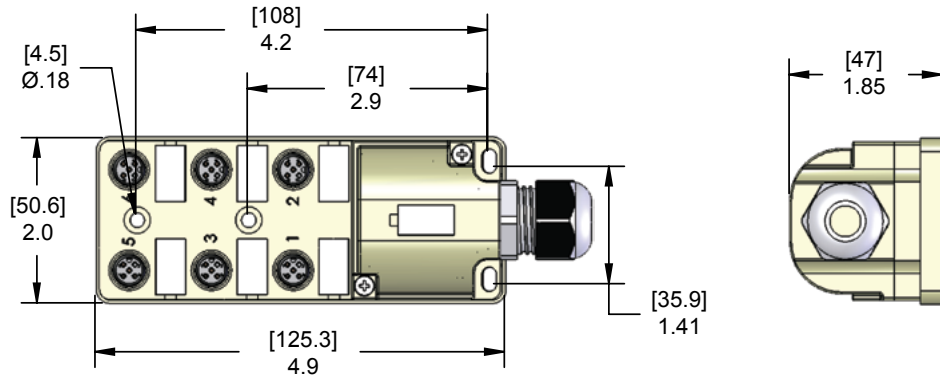


MIN Receptacle | MIN Plug | M23 Receptacle | IP67 Protection Rating



Trunk Style	UL Rating	Trunk Connection	Part Number		
			No LED	PNP	NPN
	N/A	MIN Size III 19 Pole Male Receptacle	JDC-650-019-M000	JDC-65P-219-M000	JDC-65N-219-M000
	N/A	M23 19 Pole Male Receptacle	JDC-650-019-V000	JDC-65P-219-V000	JDC-65N-219-V000
	N/A	MIN Size III 19 Pole Male Plug with Male Thread	JDC-650-019-M003	JDC-65P-219-M003	JDC-65N-219-M003
	N/A	MIN Size III 19 Pole Male Plug	JDC-650-019-M**	JDC-65P-219-M**	JDC-65N-219-M**

** Lengths in meters. Standard Cable lengths are 2m, 5m and 10m. Consult factory for other lengths.



JDC Junction Blocks

Q

Specifications:

Ratings:	3 A per Connector 8 A per Block	Inserts:	Polyamide
Voltage:	Without LEDs: 0-150 Volt Max With LEDs: 48 VDC Max in accordance with LED Configuration	Port Coupling Nuts:	PBT
Body:	Polypropylene	O-Ring:	BUNA-N
		LED Lens:	Polycarbonate
		Contacts:	Copper Alloy with Gold Plating
		Marker Tags:	Polyamide (supplied on all units)