



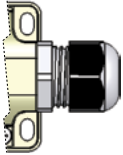
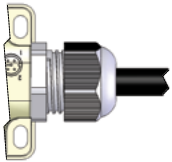
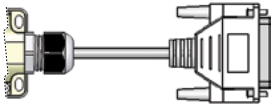
# JDC (M12) Junction Blocks

6 Port, 5 Pin JDC Junction blocks

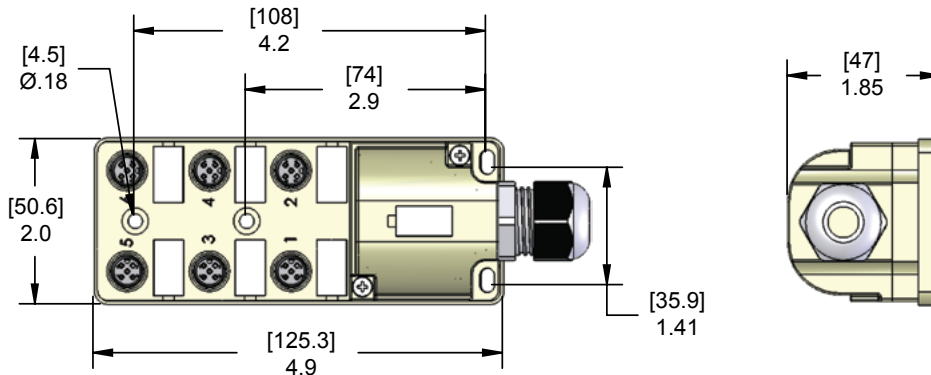


Field Wireable | Cable | D-Sub | IP67 Protection Rating



Trunk Style	UL Rating	Trunk Connection	Part Number		
			No LED	PNP	NPN
	UL Listed	Field Wireable 24 AWG - 16 AWG	JDC-650-015-F000	JDC-65P-215-F000	JDC-65N-215-F000
	UL Listed	Black PUR AWM With Foil Shield 22 AWG Drain Wire <b>3 x 18 AWG</b> <b>12 x 22 AWG</b> 9.4mm OD	JDC-650-015-C**	JDC-65P-215-C**	JDC-65N-215-C**
	N/A	Gray PVC With Foil Shield 20 AWG Drain Wire <b>21 x 24 AWG</b> <b>4 x 20 AWG</b>	JDC-650-025-D**	JDC-65P-225-D**	JDC-65N-225-D**

\*\* Lengths in meters. Standard cable lengths are 2m, 5m and 10m. Consult factory for other lengths.



JDC Junction Blocks

Q

## Specifications:

- Ratings: 3 A per Connector  
8 A per Block
- Voltage: Without LEDs: 0-150 Volt Max  
With LEDs: 48 VDC Max in accordance with LED Configuration
- Body: Polypropylene
- Inserts: Polyamide
- Port Coupling Nuts: PBT
- O-Ring: BUNA-N
- LED Lens: Polycarbonate
- Contacts: Copper Alloy with Gold Plating
- Marker Tags: Polyamide (supplied on all units)