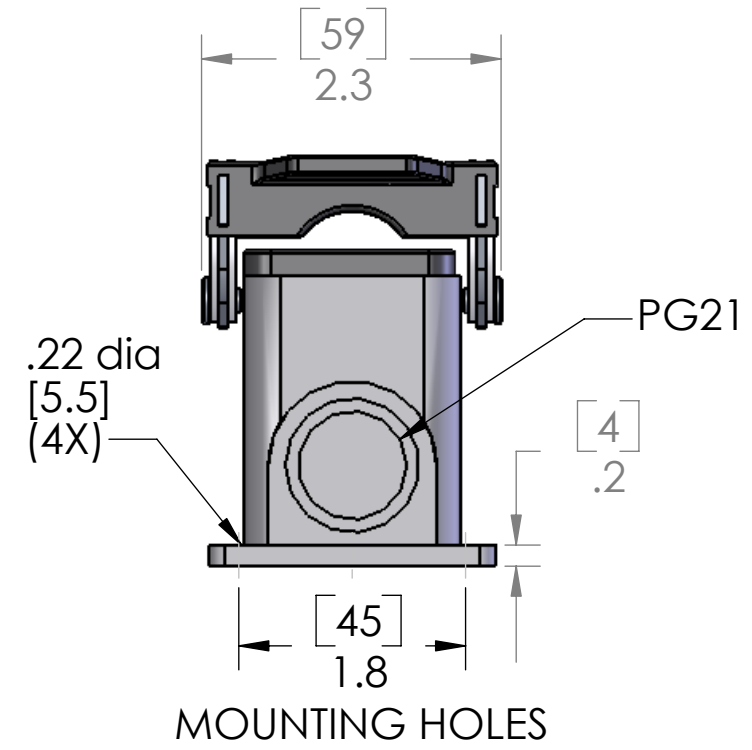
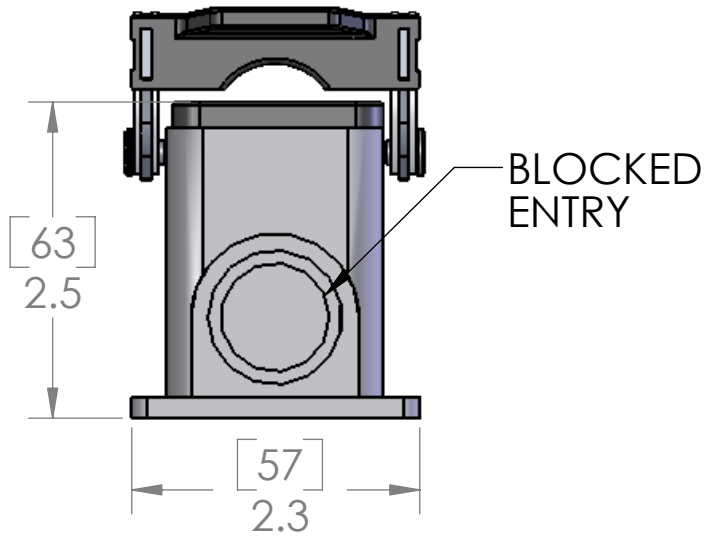
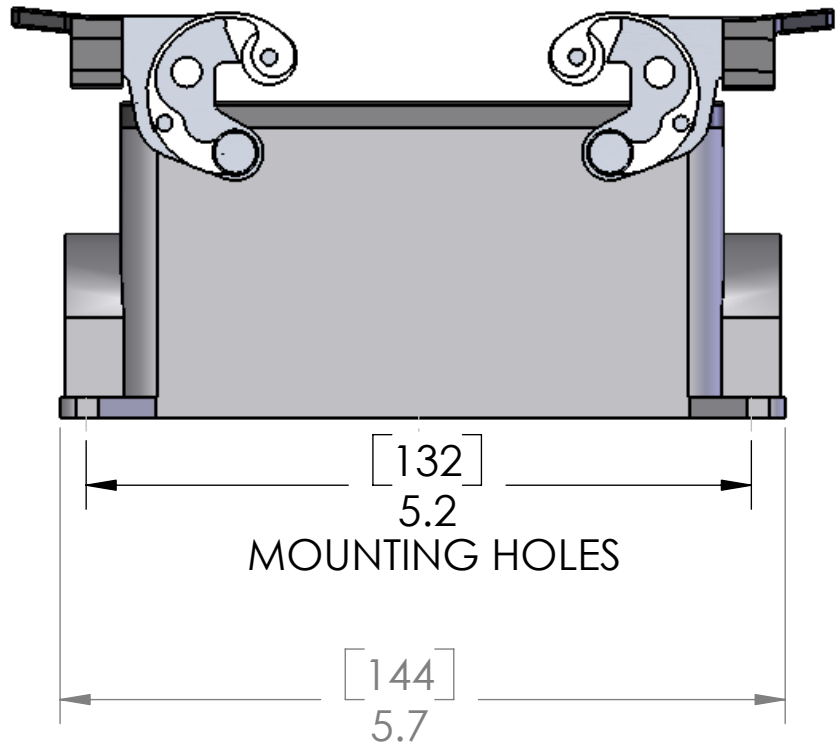
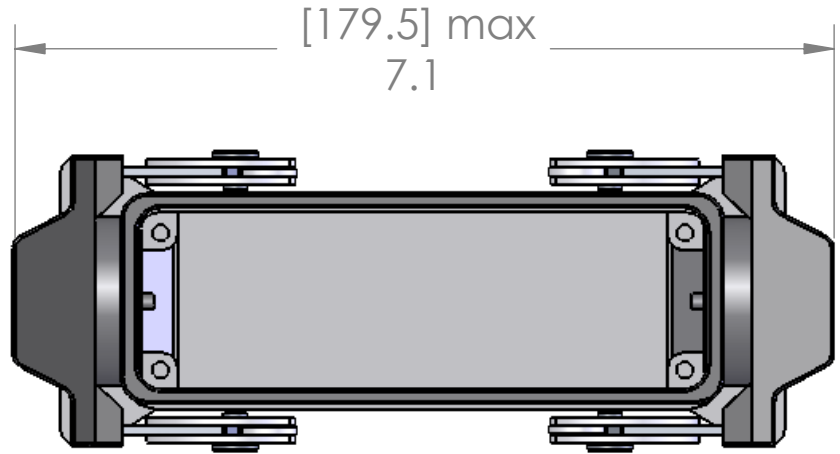


REVISIONS			
REV.	DESCRIPTION	DATE	APPROVED



HOUSING MATERIALS	
BODY:	EPOXY COATED DIE CAST ALUMINUM
GASKET:	THERMOPLASTIC ELASTOMER
HANDLE:	POLYAMIDE
LEVERS:	STAINLESS STEEL

UNLESS OTHERWISE SPECIFIED:	NAME	MENCORPORATION	
DIMENSIONS ARE IN INCHES	DRAWN		CAM
	CHECKED		
	ENG APPR.		
	MFG APPR.		
	Q.A.		
	COMMENTS:		
MATERIAL			
FINISH			
DO NOT SCALE DRAWING			

TITLE:		
SIZE	DWG. NO.	REV
B	CHP-24	
SCALE: 2:3	WEIGHT:	SHEET 1 OF 1

SEAL RATING OF IP 65 ONLY ACHIEVED WHEN FULLY LATCHED TO MATING HOOD AND WITH APPROPRIATE SEALING GLANDS INSTALLED

PROPRIETARY AND CONFIDENTIAL
 THE INFORMATION CONTAINED IN THIS DRAWING IS THE SOLE PROPERTY OF MENCORPORATION. ANY REPRODUCTION IN PART OR AS A WHOLE WITHOUT THE WRITTEN PERMISSION OF MENCORPORATION IS PROHIBITED.