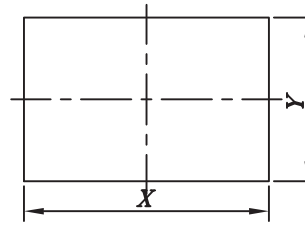
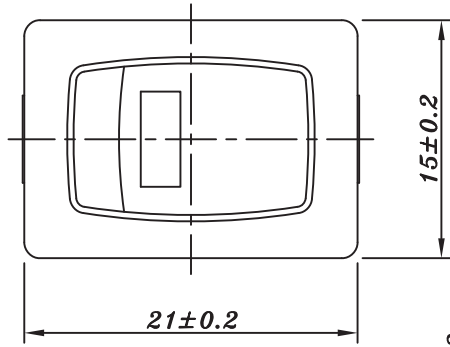





MOUNTING HOLE

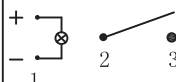


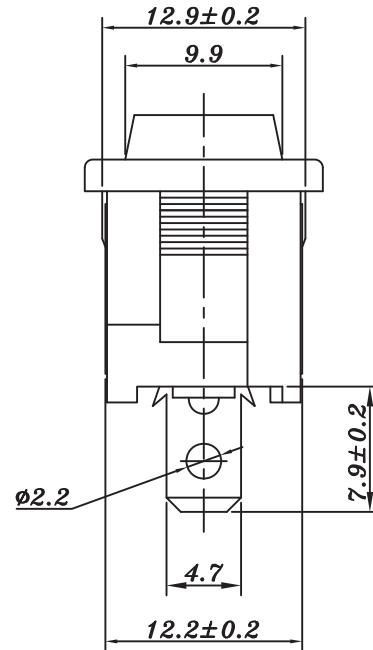
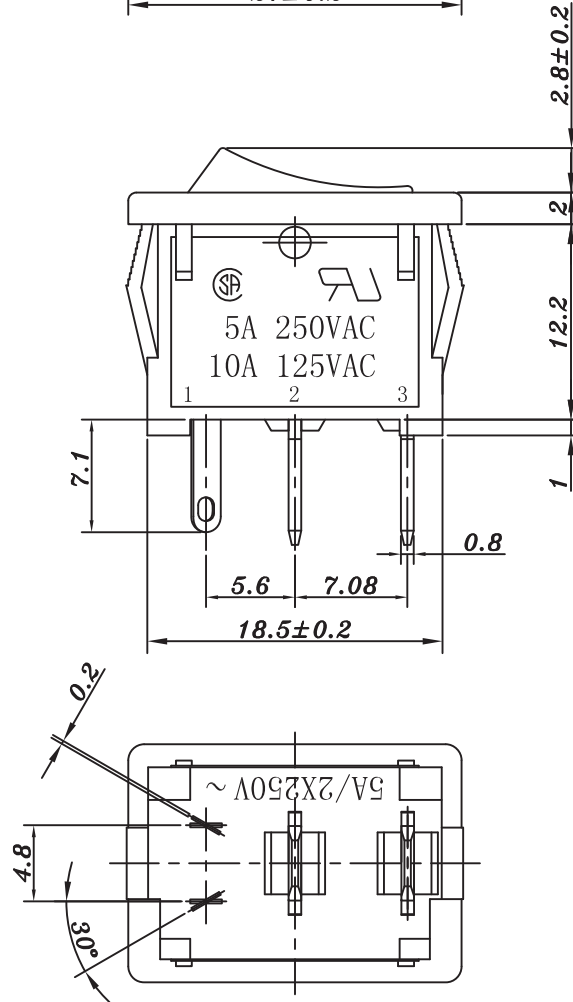
SPECIFICATION

| | |
|-----------------------|---|
| CONTACT RATING | :5A 250VAC 10A 125VAC ( ) |
| | :10A 250VAC/125VAC () |
| CONTACT RESISTANCE | :50Milliohms Max. |
| INSULATION RESISTANCE | :500 Megohms Min. 500VDC |
| WITHSTAND VOLTAGE | :2,000 VAC-1 Minute |
| LIFE EXPECTANCY | :10,000 Cycles |
| OPERATING FORCE | :400±200 gf |
| RoHS COMPLIANCE | |

UL FILE NO : E105856
 CSA UL FILE NO : LR112904
 VDE FILE NO : 40004251

| Panel Thickness | Dim. X | Dim. Y |
|-----------------|-----------|-----------|
| 0.75~1.25 | 19.2/19.1 | 13.0/12.9 |
| 1.25~2.0 | 19.4/19.3 | 13.0/12.9 |
| 2.0~3.0 | 19.8/19.7 | 13.0/12.9 |

| MODEL NO | SCHEMATIC |
|-----------|--|
| 46-140J-0 |  |



| | | |
|------------------------------|--|------------------|
| TITLE | | SCALE |
| ROCKER SWITCH | | NTS |
| DRAWING NO. 46-140J | | |
| | | UNITS mm |
| FILE NAME 46-140J.pdf | | SHEET 1/1 |