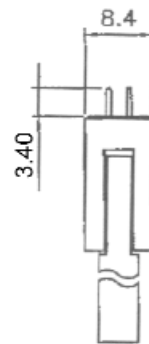
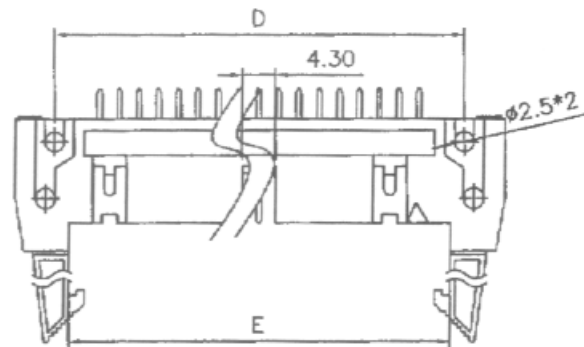


EJECTOR LATCH (37-7XX-0)



NOTE:

Materials

Insulator: PBT, Rated UL94V-0
 Contacts: Brass
 Contact Plating: 50 μ " Nickel (Underplate)
 Gold Flash (Contact Area)
 Insulator Color: Black

Electrical

Current Rating: 3 Amps Max.
 Contact Resistance: 20 m Ω Max.
 Insulation Resistance: 1000 M Ω Min. at 500 VDC
 Dielectric Withstanding: 1000 VAC / Minute
 Operating Temp.: -55 $^{\circ}$ C to 105 $^{\circ}$ C

Positions	A	B	C	D	E	Mode Part #
10	32.00	25.40	10.16	21.84	17.96	35-710-0
14	37.08	30.48	15.24	26.92	23.04	35-714-0
16	39.62	33.02	17.78	29.46	25.58	35-716-0
20	44.70	38.10	22.86	34.54	30.66	35-720-0
24	49.78	45.72	27.94	39.62	35.74	35-724-0
26	52.32	48.26	30.48	42.16	38.28	35-726-0
34	62.48	58.42	40.64	52.32	48.44	35-734-0
40	70.10	66.04	48.26	59.94	56.06	35-740-0
50	82.80	78.74	60.96	72.64	68.76	35-750-0
60	95.50	91.44	73.66	85.34	86.54	35-760-0

TITLE		SCALE
PC BOX CONNECTOR WITH EJECTORS		NTS
DRAWING NO. 35-7XX		
		UNITS mm
FILE NAME	35-7XX.pdf	SHEET 1/1



Mode Electronics Part Number 'multi-parts'