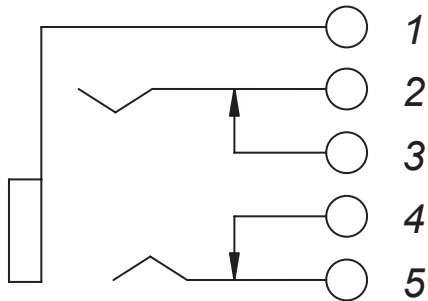


**PCB LAYOUT**



**SCHEMATIC**

<i>TITLE</i>		<i>SCALE</i>
<b>3.5mm STEREO PC MOUNT JACK</b>		<b>3 : 1</b>
<i>DRAWING NO.</i>	<b>24-391</b>	
		<i>UNITS</i> <b>mm</b>
<i>FILE NAME</i>	<b>24-391.pdf</b>	<i>SHEET</i> <b>1/1</b>