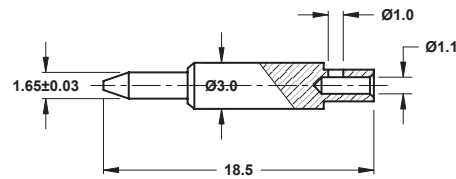
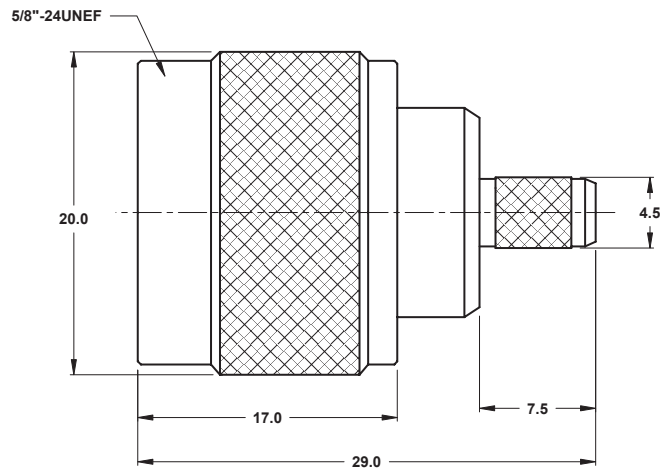


**RECOMMENDED CABLE STRIPPING DIMENSIONS**



<i>TITLE</i>		<i>SCALE</i>	
<b>N CRIMP/SOLDER PLUG (RG58/U)</b>		<b>NTS</b>	
<i>DRAWING NO.</i> <b>21-450</b>			
		<i>UNITS</i>	<b>mm</b>
<i>FILE NAME</i>	<b>21-450.pdf</b>	<i>SHEET</i>	<b>1/1</b>



**Mode Electronics Part Number 21-450-0**