

# Product data sheet

Specifications



## Power relay, SE Relays, 12A, 3PDT, 24 VAC, hermetically sealed contacts, hazardous location series

750XCXH-24A

⚠ Discontinued on: Oct 22, 2024

⚠ Discontinued

Product availability: Non-Stock - Not normally stocked in distribution facility

### Main

Product Type	Relay
Switch Function	3PDT
Contact Composition	3 NO + 3 NC

### Complementary

Input Current	12 A
Contacts Material	Silver alloy contacts
Minimum Switching Current	100 mA 5 V
Coil Resistance	72 Ohm
Input voltage	24 V AC
Drop-out Voltage Threshold	$\geq 0.15 U_c$ AC $\geq 0.1 U_c$ DC
Rated Operational Current	12 A at 120 V AC conforming to UL 12 A at 240 V AC conforming to UL 12 A at 28 V DC conforming to UL
Power consumption in W	1.2 W DC
Power consumption in VA	2.75 VA AC
Voltage Range	0.85...1.1 $U_n$ AC/DC
Maximum Switching Voltage	300 V
Motor Power HP	0.5 hp 240 V AC 50/60 Hz 0.33 hp 120 V AC 50/60 Hz
Connections Terminals	octal terminal - 11 pins
Mounting	Socket
Height	2.07 in (52.5 mm)
Width	1.4 in (36.5 mm)
Depth	1.6 in (41.2 mm)
Product Weight	4.6 oz (130 g)
Operating Time	20 ms

### Environment

Ambient Air Temperature for Operation	-40...131 °F (-40...55 °C)
---------------------------------------	----------------------------

Price is "List Price" and may be subject to a trade discount – check with your local distributor or retailer for actual price.

<b>Ambient Air Temperature for Storage</b>	-40...185 °F (-40...85 °C)
<b>Product Certifications</b>	UL CSA
<b>Electrical Durability</b>	100000 cycles resistive
<b>Mechanical Durability</b>	10000000 cycles
<b>IP Degree of Protection</b>	IP67
<b>Dielectric Strength</b>	1600 V AC between coil and contact 1600 V AC between poles 1500 V AC between open contacts
<b>Shock Resistance</b>	10 gn
<b>Vibration Resistance</b>	3 gn 35...150 Hz)operating +/- 1 mm 10...35 Hz)operating 6 gn 35...150 Hz)not operating +/- 1 mm 10...35 Hz)not operating

## Ordering and shipping details

<b>Category</b>	US10CP221127
<b>Discount Schedule</b>	0CP2
<b>GTIN</b>	3606480279492
<b>Returnability</b>	No
<b>Country of origin</b>	CN

## Packing Units

<b>Unit Type of Package 1</b>	PCE
<b>Number of Units in Package 1</b>	1
<b>Package 1 Height</b>	1.62 in (4.12 cm)
<b>Package 1 Width</b>	1.44 in (3.65 cm)
<b>Package 1 Length</b>	2.07 in (5.25 cm)
<b>Package 1 Weight</b>	4.6 oz (130 g)

## Environmental Data

Schneider Electric aims to achieve Net Zero status by 2050 through supply chain partnerships, lower impact materials, and circularity via our ongoing “Use Better, Use Longer, Use Again” campaign to extend product lifetimes and recyclability.

[Environmental Data explained >](#)

[How we assess product sustainability >](#)

### Environmental footprint

Carbon footprint (kg CO2 eq, Total Life cycle) 20

Environmental Disclosure [Product Environmental Profile](#)

## Use Better

### Materials and Substances

Packaging made with recycled cardboard Yes

Packaging without single use plastic Yes

[EU RoHS Directive](#) Pro-active compliance (Product out of EU RoHS legal scope)

REACH Regulation [REACH Declaration](#)

California proposition 65 **WARNING:** This product can expose you to chemicals including: Nickel compounds, which is known to the State of California to cause cancer, and Di-isodecyl phthalate (DIDP), which is known to the State of California to cause birth defects or other reproductive harm. For more information go to [www.P65Warnings.ca.gov](http://www.P65Warnings.ca.gov)

## Use Again

### Repack and remanufacture

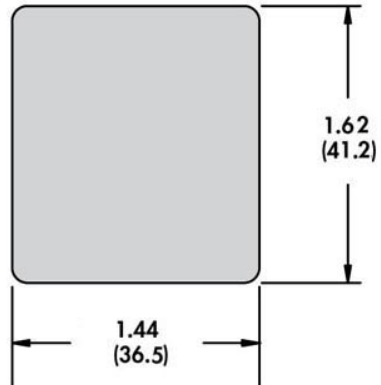
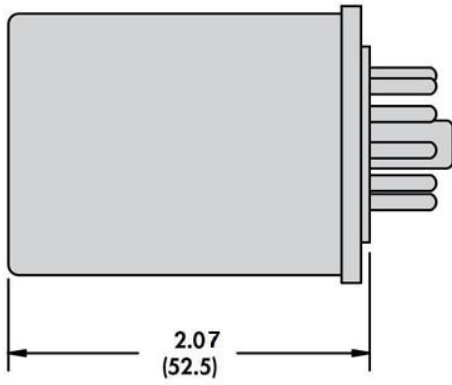
Circularity Profile [End of Life Information](#)

WEEE  The product must be disposed on European Union markets following specific waste collection and never end up in rubbish bins.

Dimensions Drawings

Approximate Dimensions

---



Connections and Schema

Connections and Wiring Diagrams

---

