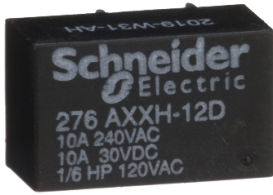


# Product data sheet

Specifications



## Power relay, SE Relays, SPST-NO, 10A, 12 VDC, epoxy sealed

276AXXH-12D

Product availability: Non-Stock - Not normally stocked in distribution facility

### Main

Product Type	Power relay
Switch Function	SPST
Contact Composition	1 NO

### Complementary

Input Current	10 A
Contacts Material	Silver alloy contacts
Minimum Switching Current	100 mA
Coil Resistance	720 Ohm
Input voltage	12 V DC
Drop-out Voltage Threshold	$\geq 0.1 U_c$ DC
Rated Operational Current	10 A at 240 V AC 10 A at 30 V DC
Power consumption in W	0.2 W DC
Voltage Range	0.8...1.1 $U_n$ DC
Motor Power HP	0.17 hp 120 V AC
Connections Terminals	pins for printed circuit board
Protective Treatment	Epoxy sealed
Electrical Insulation Class	Class E
Mounting	Printed circuit boards
Height	0.4 in (10 mm)
Width	0.5 in (12.7 mm)
Depth	0.81 in (20.49 mm)
Product Weight	0.2 oz (5.5 g)
Operating Time	10 ms

### Environment

Ambient Air Temperature for Operation	-40...158 °F (-40...70 °C)
Ambient Air Temperature for Storage	-40...185 °F (-40...85 °C)
Product Certifications	UL
Electrical Durability	100000 cycles
Mechanical Durability	5000000 cycles

Price is "List Price" and may be subject to a trade discount – check with your local distributor or retailer for actual price.

<b>Dielectric Strength</b>	2000 V AC between coil and contact 1000 V AC between contacts
<b>Shock Resistance</b>	20 gn in operation
<b>Vibration Resistance</b>	1.5 gn 10...55 Hz)in operation

## Ordering and shipping details

<b>Category</b>	US10CP221127
<b>Discount Schedule</b>	OCP2
<b>GTIN</b>	3606480276163
<b>Returnability</b>	No
<b>Country of origin</b>	CN

## Packing Units

<b>Unit Type of Package 1</b>	PCE
<b>Number of Units in Package 1</b>	1
<b>Package 1 Height</b>	0.81 in (2.049 cm)
<b>Package 1 Width</b>	0.50 in (1.27 cm)
<b>Package 1 Length</b>	0.53 in (1.35 cm)
<b>Package 1 Weight</b>	0.2 oz (5.5 g)




## Environmental Data

Schneider Electric aims to achieve Net Zero status by 2050 through supply chain partnerships, lower impact materials, and circularity via our ongoing “Use Better, Use Longer, Use Again” campaign to extend product lifetimes and recyclability.



[Environmental Data explained >](#)

[How we assess product sustainability >](#)

### Use Better

 <b>Materials and Substances</b>	
Packaging without single use plastic	No
<a href="#">EU RoHS Directive</a>	Pro-active compliance (Product out of EU RoHS legal scope)
REACH Regulation	<a href="#">REACH Declaration</a>
California proposition 65	<b>WARNING:</b> This product can expose you to chemicals including: Nickel compounds, which is known to the State of California to cause cancer, and Di-isodecyl phthalate (DIDP), which is known to the State of California to cause birth defects or other reproductive harm. For more information go to <a href="http://www.P65Warnings.ca.gov">www.P65Warnings.ca.gov</a>

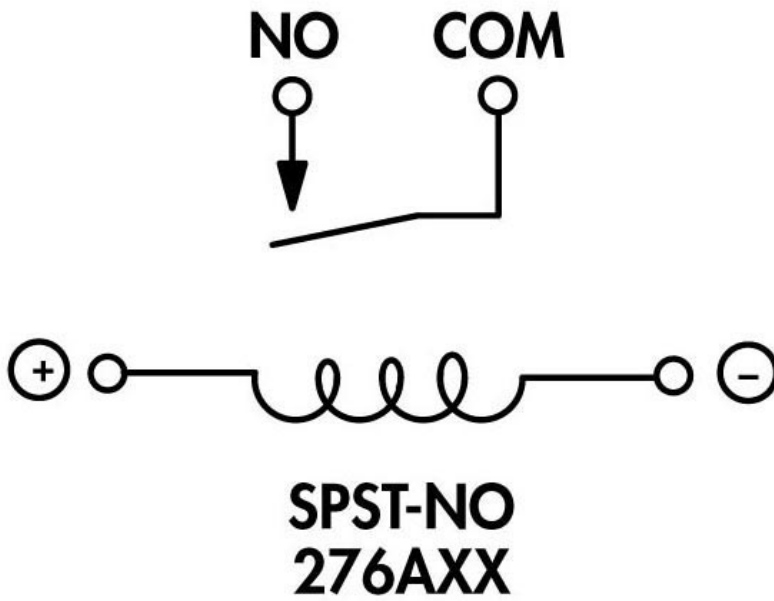
### Use Again

 <b>Repack and remanufacture</b>	
Circularity Profile	No need of specific recycling operations
Take-back	No
WEEE	 The product must be disposed on European Union markets following specific waste collection and never end up in rubbish bins.

Connections and Schema

Connections and Wiring Diagrams

---



Connections and Wiring Diagrams

---

