

Product data sheet

Specifications



Power relay, SE Relays, SPST-DM, 40A, 24 VDC, open type

199DX-3

Product availability: Non-Stock - Not normally stocked in distribution facility

Main

Product Type	Power relay
Switch Function	SPST-NO-DM
Contact Composition	1 NO
Cover Type	Open cover

Complementary

Input Current	40 A
Short Circuit Current	3 kA
Associated Fuse Rating	50 A gG at 690 V coordination type 2 for power circuit
Average Pole Impedance	4 mOhm
Contacts Material	Silver alloy contacts
Contact Operation	Double action
Wire Strip Length	0.3 in (8 mm)
Rated Operational Voltage	6...600 V AC 50-60 Hz 6...250 V DC
Minimum Switching Current	1000 mA 5 V AC/DC
Coil Resistance	290 Ohm
Input voltage	24 V DC
Drop-out Voltage Threshold	$\geq 0.1 U_c$ AC/DC
Rated Operational Current	40 A at 300 V AC (on resistive load) conforming to UL 40 A at 28 V DC (on resistive load) conforming to UL 12 A at 480 V AC (on resistive load) conforming to UL 10 A at 600 V AC (on resistive load) conforming to UL 15 A at 120 V AC (tungsten filament) conforming to UL
Power consumption in W	4 W DC
Power consumption in VA	10 VA AC
Voltage Range	0.85...1.1 U_n AC/DC
Maximum Switching Voltage	600 V DC
Motor Power HP	2 hp 120...600 V AC 50/60 Hz
Connections Terminals	screw terminal - 1 x 0.009 in ² (6 mm ²)
Terminal Tightening Torque	10.6...15.05 lbf.in (1.2...1.7 N.m)

Environment

Ambient Air Temperature for Operation	-67...131 °F (-55...55 °C)
---------------------------------------	----------------------------

Price is "List Price" and may be subject to a trade discount – check with your local distributor or retailer for actual price.

Ambient Air Temperature for Storage	-67...212 °F (-55...100 °C)
Product Certifications	UL Listed CSA CE
Electrical Durability	100000 cycles resistive DC load
Dielectric Strength	2200 V AC between coil and contact 2200 V AC between poles 1500 V AC between open contacts

Ordering and shipping details

Category	US10CP221127
Discount Schedule	0CP2
GTIN	3606480276019
Returnability	Yes
Country of origin	CN

Packing Units

Unit Type of Package 1	PCE
Number of Units in Package 1	1
Package 1 Height	2.00 in (5.080 cm)
Package 1 Width	2.60 in (6.604 cm)
Package 1 Length	2.60 in (6.604 cm)
Package 1 Weight	7.360 oz (208.652 g)
Unit Type of Package 2	CAR
Number of Units in Package 2	30
Package 2 Height	7.40 in (18.796 cm)
Package 2 Width	17.80 in (45.212 cm)
Package 2 Length	35.20 in (89.408 cm)
Package 2 Weight	21.499 lb(US) (9.752 kg)



Environmental Data

Schneider Electric aims to achieve Net Zero status by 2050 through supply chain partnerships, lower impact materials, and circularity via our ongoing “Use Better, Use Longer, Use Again” campaign to extend product lifetimes and recyclability.

[Environmental Data explained >](#)

[How we assess product sustainability >](#)

Environmental footprint

[Environmental Disclosure](#)

[Product Environmental Profile](#)

Use Better

Materials and Substances

Packaging without single use plastic

No

[EU RoHS Directive](#)

Pro-active compliance (Product out of EU RoHS legal scope)

REACH Regulation

[REACH Declaration](#)

California proposition 65

WARNING: This product can expose you to chemicals including: Nickel compounds, which is known to the State of California to cause cancer, and Di-isodecyl phthalate (DIDP), which is known to the State of California to cause birth defects or other reproductive harm. For more information go to www.P65Warnings.ca.gov

Use Again

Repack and remanufacture


Circularity Profile

No need of specific recycling operations

Take-back

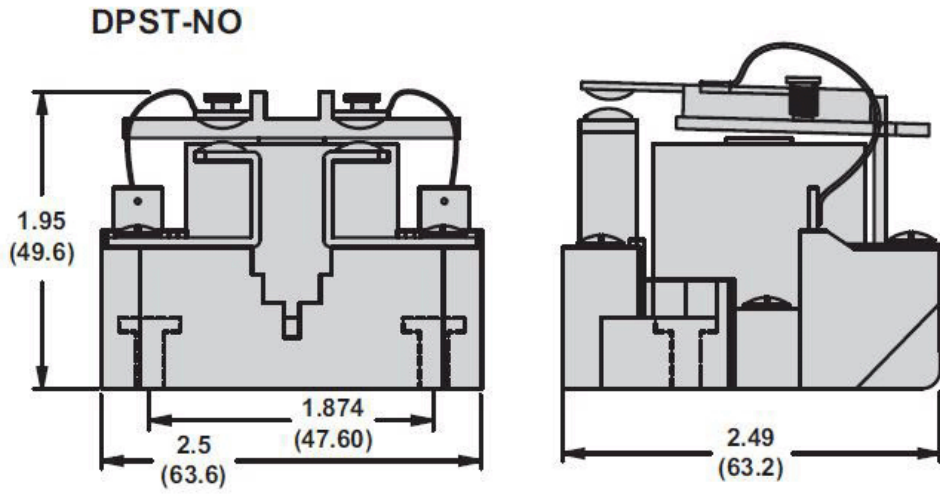
No

WEEE

 The product must be disposed on European Union markets following specific waste collection and never end up in rubbish bins.

Dimensions Drawings

Approximate Dimensions



Connections and Schema

Connections and Wiring Diagrams

