

Product data sheet

Specifications



Panel adapter direct mounting, SE Relays, general purpose relay accessory, 784 series

16-784C1

Product availability: Non-Stock - Not normally stocked in distribution facility

Main

Product Range	Legacy
Product Type	Adaptor
Product Compatibility	relay 784XDX

Complementary

Mounting Support	Direct mounting on DIN rail
Width	1.7 in (44 mm)
Depth	0.6 in (16 mm)

Ordering and shipping details

Category	21128-ZELIO ICE CUBE RELAY ACCESSORIES
Discount Schedule	CP2
GTIN	3606480275234
Returnability	No
Country of origin	CN

Packing Units

Unit Type of Package 1	PCE
Number of Units in Package 1	1

Price is "List Price" and may be subject to a trade discount – check with your local distributor or retailer for actual price.


Environmental Data

Schneider Electric aims to achieve Net Zero status by 2050 through supply chain partnerships, lower impact materials, and circularity via our ongoing “Use Better, Use Longer, Use Again” campaign to extend product lifetimes and recyclability.

[Environmental Data explained >](#)

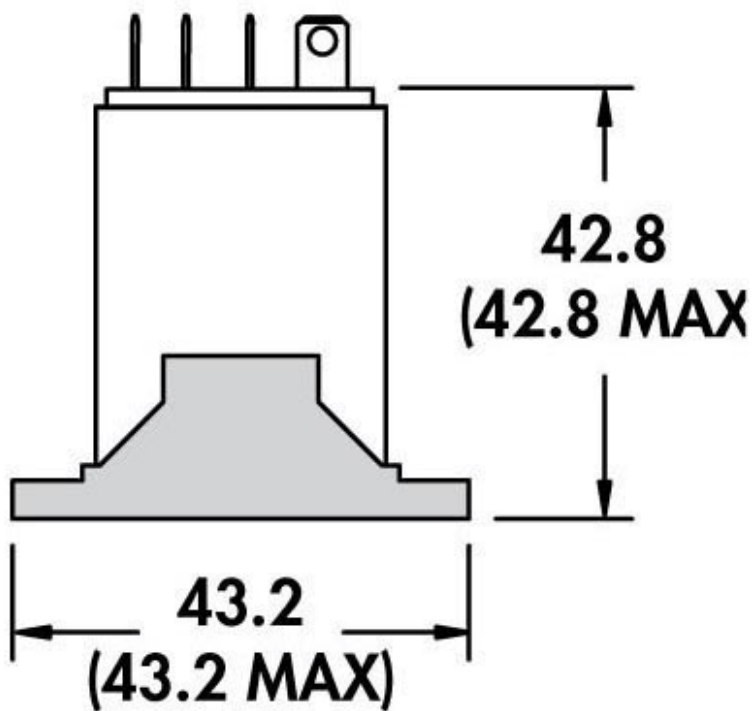
[How we assess product sustainability >](#)

Use Better

 Materials and Substances	
Packaging without single use plastic	No
EU RoHS Directive	Pro-active compliance (Product out of EU RoHS legal scope)
California proposition 65	WARNING: This product can expose you to chemicals including: Nickel compounds, which is known to the State of California to cause cancer, and Di-isodecyl phthalate (DIDP), which is known to the State of California to cause birth defects or other reproductive harm. For more information go to www.P65Warnings.ca.gov

Dimensions Drawings

Approximate Dimensions



Approximate Dimensions

