

UL CONTACT LOAD RATINGS TABLE

POLES	CURRENT OR HORSE POWER	LOAD VOLTAGE	LOAD VOLTAGE FREQUENCY	TYPE OF LOAD	MINIMUM LOAD
1 POLE THRU 6 POLES	5 AMP	120 VAC	50/60 Hz	RESISTIVE	
	5 AMP	28 VDC	DC	RESISTIVE	50 mA, 6 VDC
	3 AMP	120 VAC	50/60 Hz	RESISTIVE	
	3 AMP	28 VDC	DC	RESISTIVE	10 mA, 6 VDC

**DPDT THRU 6PDT,
3 & 5 AMPS**

c us
UL Recognized
File No. E52197

168986

GENERAL SPECIFICATIONS

COIL

- Pull-in Voltage : 80% of nominal voltage or less
- Dropout Voltage: DC-10% of nominal voltage or more
- Max. Voltage : 110%
- Resistance: ±10% measured @ 25°C
- Coil Power: 0.5 to 1.5 watts DC, 1.5 VA to 2 VA (60Hz) AC @ 25°C.
- Max. Coil Dissipation: 2.2 watts @ 25°C.
- Duty: Continuous

CONTACTS

- Contact Material: Silver gold overlay
- Coil Resistance: 50 megohms max.
- Contact Rating: See "UL CONTACT LOAD RATING TABLE"

CAPACITANCE

- Between Contacts: 2 pf, typ.
- Contacts to Coil: 2 pf, typ.
- Contacts to Frame: 30 pf, typ.

TIMING

- Operate Time: DPDT=12 mS, 4PDT=14 mS, 6PDT=16 mS,
- Release Time: 8 mS

DIELECTRIC STRENGTH

- Contacts to Coil: 1500 V rms
- Coil to Frame: 1000 V rms
- Across Open Contacts: 500 V rms
- Contacts to Frame: 1500 V rms
- Insulation Resistance: 1000 megohms @ 500 VDC

TEMPERATURE

- Operating: -55°C to +70°C
- Storage: -55°C to +105°C

LIFE EXPECTANCY

- Electrical: 200,000 operations @ rated resistive load
- Mechanical: 1,000,000 operations @ no load

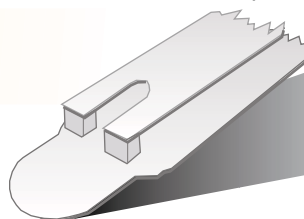
MISCELLANEOUS

- Operating Position: Any
- Insulation Material: Molded plastic
- Enclosure: Polycarbonate dust cover
- Weight: 22 to 40 grams approx.

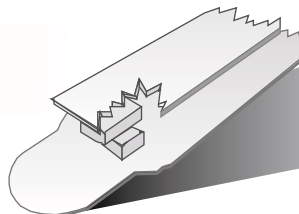
Standard **Class 67** miniature industrial relays are designed for applications requiring DPDT to 6PDT contacts where space and weight are of prime importance. Shatter resistant, see-thru plastic covers are utilized to protect against dust, tampering and electrical shock. The 67T models have Bifurcated Contacts and are designed for low level switching applications.



**BIFURCATED CONTACTS
(LOW LEVEL APPLICATIONS)**



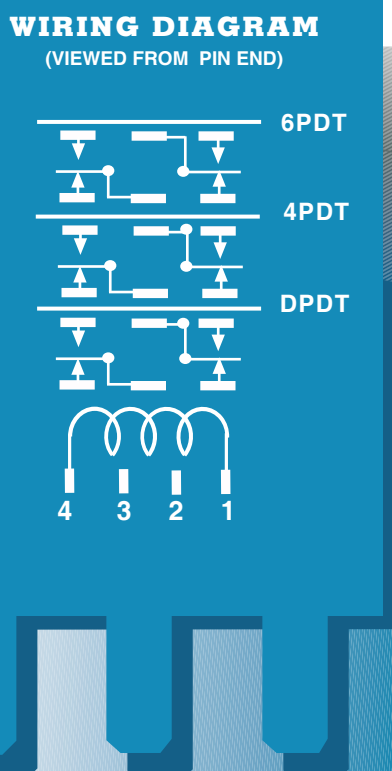
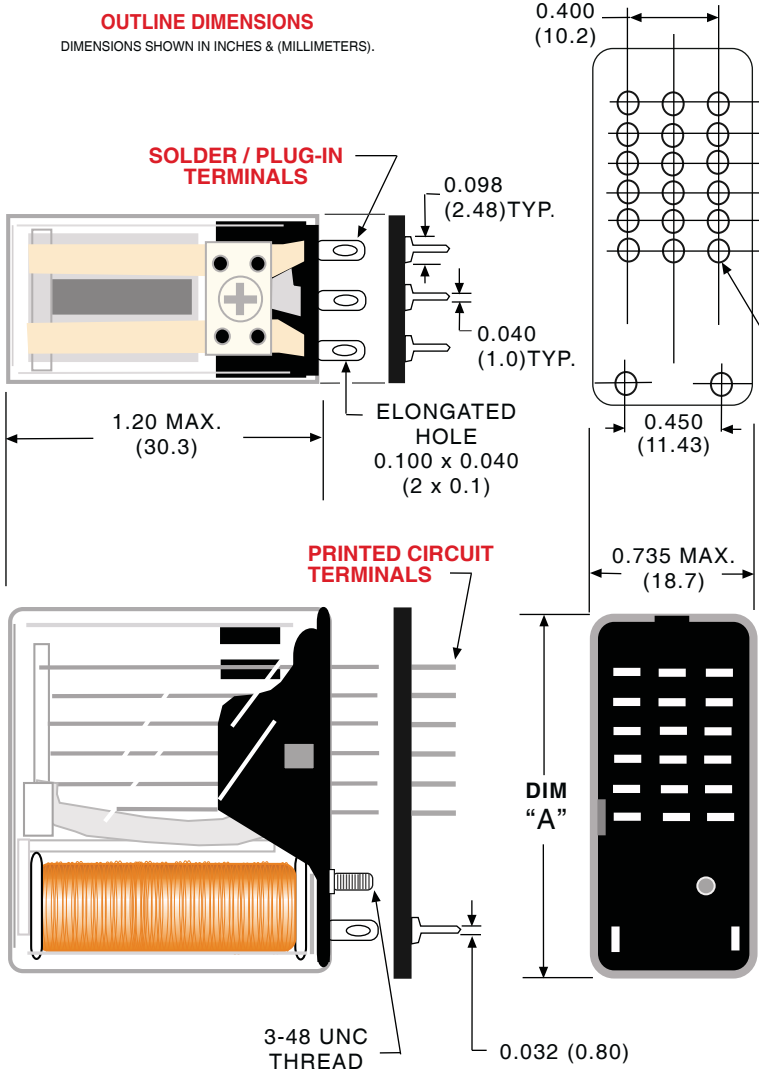
**STANDARD CONTACTS
(5 AMP CROSS BAR)**



Mating Sockets
70-303-1, 70-305-1, 70-307-1: **SOLDER**
70-304-1, 70-306-1, 70-308-1:
PRINTED CIRCUIT
See section 8, page 23, 24



DPDT THRU 6PDT, 3 & 5 AMPS



DIMENSIONS

CONTACT CONFIGURATION	"A" DIM
6PDT	1.374 (34.9)
4PDT	1.156 (29.4)
DPDT	0.978 (24.8)

STANDARD PART NUMBERS	CONTACT CONFIGURATION	COIL MEASURED @ 25°C	
		NOMINAL INPUT VOLTAGE OR	NOMINAL RESISTANCE (OHMS)
DC OPERATED COIL - SOLDER/PLUG-IN, 5 AMP			
W67RCSX-1	DPDT	5 VDC	52 Ω
W67RCSX-2	DPDT	12 VDC	185 Ω
W67RCSX-3	DPDT	24 VDC	700 Ω
W67RCSX-4	DPDT	48 VDC	2,500 Ω
W67RCSX-5	DPDT	110 VDC	15,000 Ω
W67RCSX-6	4PDT	5 VDC	52 Ω
W67RCSX-7	4PDT	12 VDC	185 Ω
W67RCSX-8	4PDT	24 VDC	700 Ω
W67RCSX-9	4PDT	48 VDC	2,500 Ω
W67RCSX-10	4PDT	110 VDC	15,000 Ω
W67RCSX-12	6PDT	12 VDC	90 Ω
W67RCSX-13	6PDT	24 VDC	430 Ω
DC OPERATED COIL-BIFURCATED CONTACTS, 3 AMP			
W67TRCSX-2	DPDT	12 VDC	185 Ω
W67TRCSX-3	DPDT	24 VDC	700 Ω
W67TRCSX-7	4PDT	12 VDC	185 Ω
W67TRCSX-8	4PDT	24 VDC	700 Ω
W67TRCSX-12	6PDT	12 VDC	90 Ω
W67TRCSX-13	6PDT	24 VDC	430 Ω
DC OPERATED PRINTED CIRCUIT, 5 AMP			
W67RPCX-2	DPDT	12 VDC	185 Ω
W67RPCX-3	DPDT	24 VDC	700 Ω
W67RPCX-7	4PDT	12 VDC	185 Ω
W67RPCX-8	4PDT	24 VDC	700 Ω
W67RPCX-12	6PDT	12 VDC	90 Ω
W67RPCX-13	6PDT	24 VDC	430 Ω
AC OPERATED COIL - SOLDER/PLUG-IN, 5 AMP			
W67ARCSX-5	DPDT	120 VAC, 50/60Hz	9000 Ω
W67ARCSX-10	4PDT	120 VAC, 50/60Hz	8000 Ω
W67ARCSX-15	6PDT	120 VAC, 50/60Hz	8000 Ω
DC OPERATED COIL ULTRA SENSITIVE - SOLDER/PLUG-IN, 3 AMP			
W67SCSX-1	DPDT	9.4 MADC	1,000 Ω
W67SCSX-2	DPDT	6.4 MADC	2,500 Ω
W67SCSX-3	DPDT	4.5 MADC	5,000 Ω
W67SCSX-6	4PDT	13.7 MADC	1,000 Ω
W67SCSX-7	4PDT	9.1 MADC	2,500 Ω
W67SCSX-8	4PDT	6.5 MADC	5,000 Ω

RETROFITS POTTER & BRUMFIELD R10.
SEE END OF SECTION 1 FOR CROSS REFERENCE