

FEATURES

BENEFITS

SOLID STATE CIRCUITRY

OPTICALLY COUPLED CIRCUIT

INTERNAL SNUBBER

RED L. E. D. STATUS LAMP

CLEAR PLASTIC COVER

NO MOVING PARTS

ISOLATE INPUT FROM OUTPUT

PROTECTS RELAY FROM TRANSIENTS

VERIFY PRESENCE OF INPUT VOLTAGE

PROTECTION FROM ACCIDENTAL CONTACT



COMPLIES WITH REQUIREMENTS OF

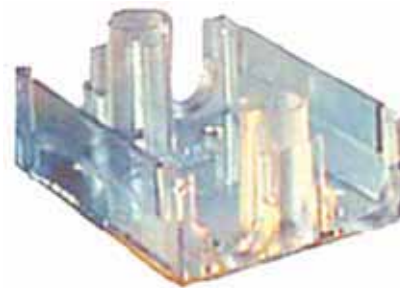
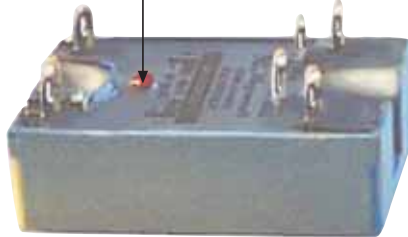
- * IEC STANDARDS 947-4-1 AND 947-5-1 LOW VOLTAGE DIRECTIVE
- * IEC = INTERNATIONAL ELECTROTECHNICAL COMMISSION
- * CE TESTING AND EVALUATION PERFORMED BY THE UNDERWRITERS LABORATORIES AS A THIRD PARTY PARTICIPANT

MANUFACTURED
UNDER ISO 9002

ALL CURRENT RATINGS ON THE FOLLOWING PAGES
 ARE BASED ON USE OF A SUITABLE THERMALLY
 CONDUCTIVE COMPOUND
 (E.G. SILICONE GREASE BETWEEN THE SSR
 MOUNTING BASE AND THE MOUNTING SURFACE
 OF A SUITABLE HEAT SINK).



RED L. E. D.
STATUS LAMP



SAFETY COVER STANDARD
ON ALL MODELS EXCEPT
DUAL OUTPUT

INPUT & OUTPUT SCREW SIZE

UP TO 40 AMP	
INPUT	OUTPUT
M 3.5	M 4
ABOVE 40 AMP	
M 3.5	M 6

FAMILY	INPUT-CONTROL	OUTPUT-LOAD	CONTROL-METHOD
ASX	AC	AC	SCRs
DSX	DC	AC	SCRs
DTX	DC	AC	TRIAC
DDX	DC	DC	MOSFET

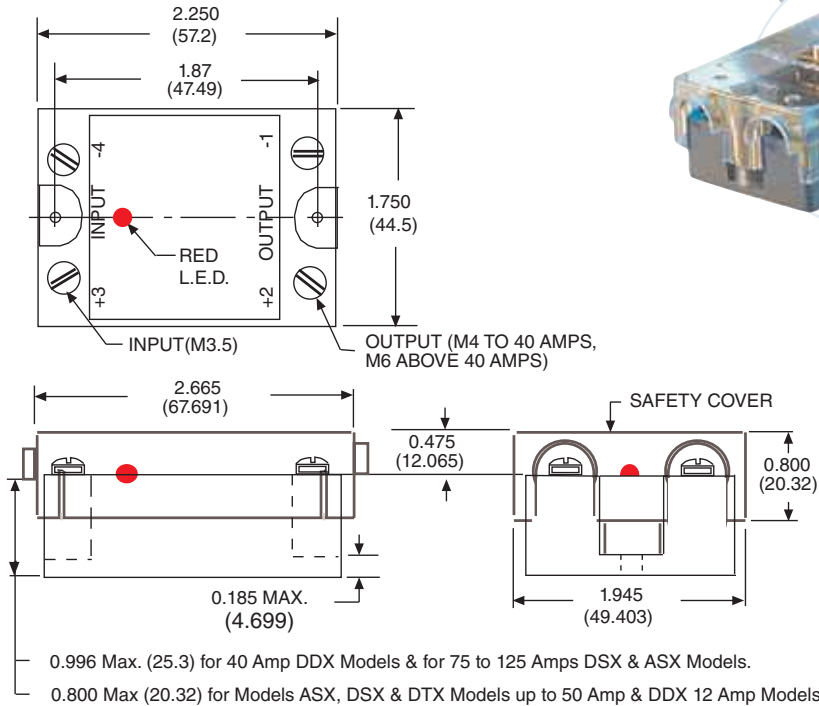


6 SERIES SOLID STATE RELAYS

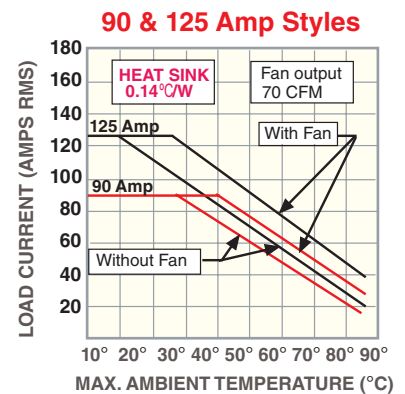
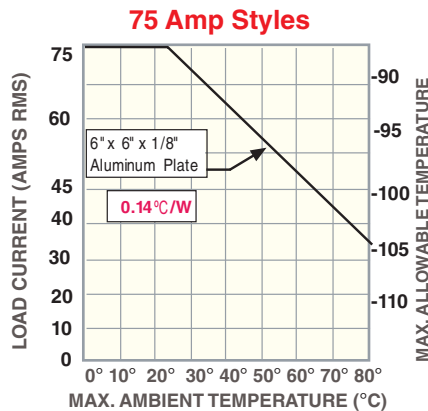
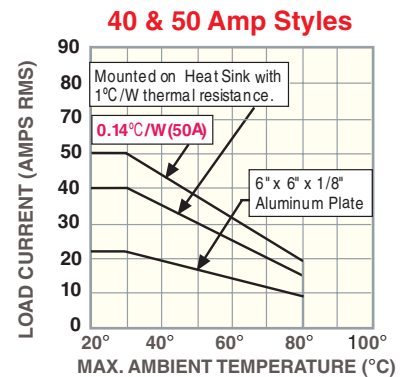
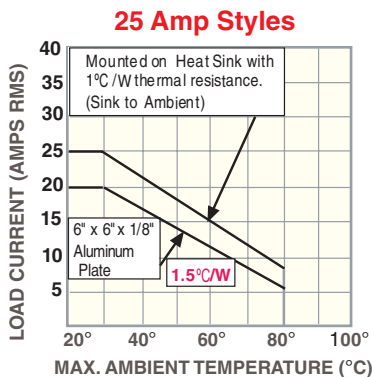
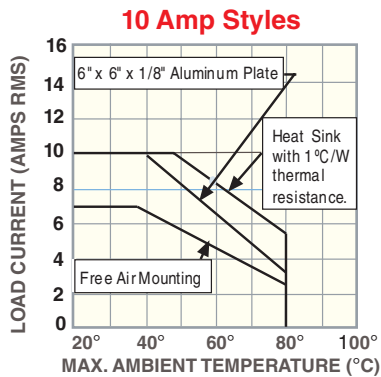


OUTLINE DIMENSIONS

DIMENSIONS SHOWN IN INCHES & (MILLIMETERS).



THERMAL DERATING CURVE & LOAD CHARACTERISTICS



6 SERIES SOLID STATE RELAY



DDX - DC/DC, SPST, 12 TO 40 AMPS

UL **us**
UL Recognized
File No. E52197

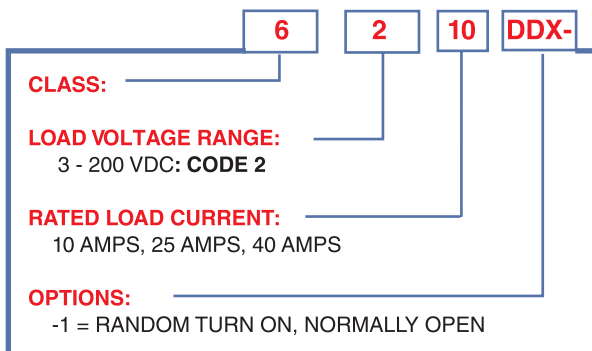


GENERAL SPECIFICATIONS (@ 25°C)

INPUT CHARACTERISTICS		DDX	
Style:		3.5 - 32 VDC	
Control Voltage Range:		16 mA @ 30 VDC	
Typical Input Current:		1 VDC	
Must Release Voltage:		NO	
Maximum. Reverse Control Voltage:			
OUTPUT CHARACTERISTICS		W62	
Style:		3 - 200 VDC	
Load Voltage Range:		3 - 200 VDC	
Rated Load Current:		12 Amp	25 Amp 40 Amp
Minimum Load Current:		20 mA	20 mA 20 mA
Non-Repetitive Surge Current (1 Second):		27 A	50 A 90 A
Maximum Off State Leakage Current (Rms):		8 mA	8 mA 8 mA
Typical On-State Voltage Drop (Rms):		1.6 VDC	1.6 VDC 1.6 VDC
Suggested Heatsink °C/W:		1.0	0.5 0.14
Maximum Turn - On Time:		600 uS	
Maximum Turn - Off Time:		2.6 mS	
MISCELLANEOUS CHARACTERISTICS			
Dielectric Strength (Input/Output/Base):		2500 V rms	
Insulation Resistance:		100 megohms minimum @ 500 VDC	
Operating Temperature Range:		-40 °C to +80 °C	
Storage Temperature Range:		-40 °C to +100 °C	
Weight:		100 grams approx.	



ORDERING CODE



STANDARD PART NUMBERS	RATED LOAD CURRENT
W6212DDX-1	12 AMPS
W6225DDX-1	25 AMPS
W6240DDX-1	40 AMPS