



**Mallory Sonalert Products, Inc.**

Part #: **JT120-RY-CD**

**Sales Outline Drawing**

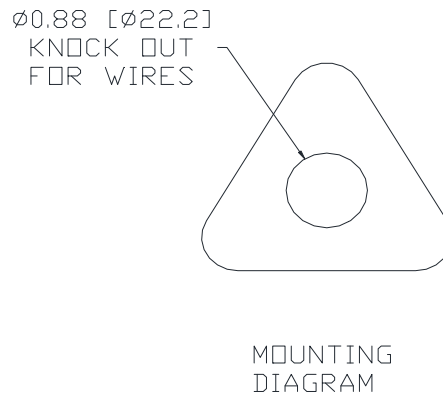
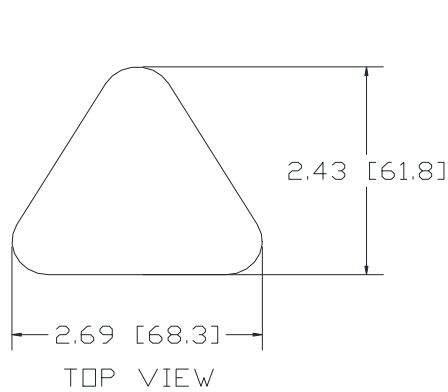
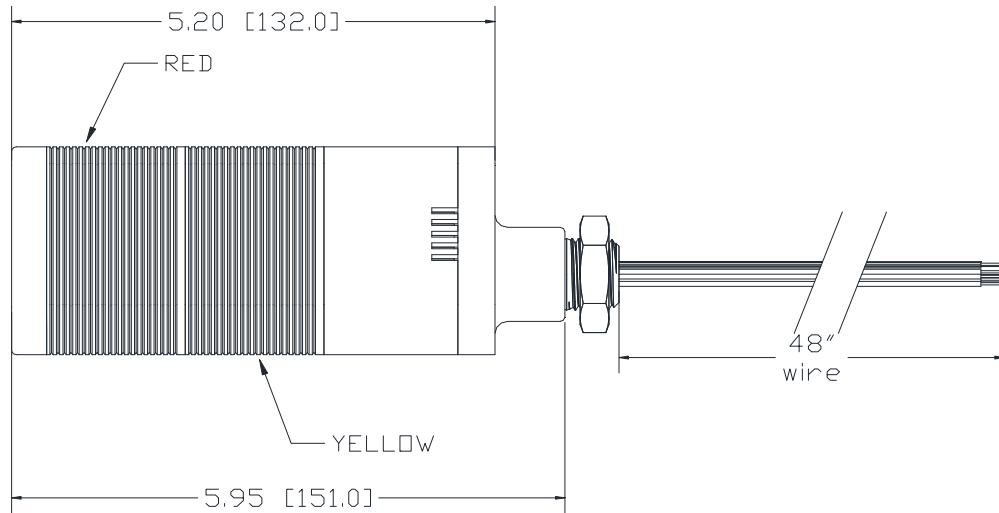
Revision: **A**

**Specifications:**

Stack Number:	1	2			
LED Color:	RED	YELLOW			
Connection Wires:	Red and Brown	Yellow and Brown			
LED Current Draw:	<30mA				
Rated Voltage:	120 VAC				
Operating Voltage:	90-120 VAC				
Operating Temperature:	-25° ~ +60°C				
Lens Color:	Opaque White				
Material:	ABS 777D				
Mounting Method:	Direct Mount using 1/2" NPT Stainless Steel Pipe and Nut				
Weight Typical (g):	380				
NEMA 3R,4X, & 12:					
Options:	Please contact factory.				

**Dimensions:** Inches (mm)

**ROHS Compliant**



**LED OPERATION:** CONNECT STACK COLOR WIRE TO POWER AND BROWN WIRE TO POWER.