

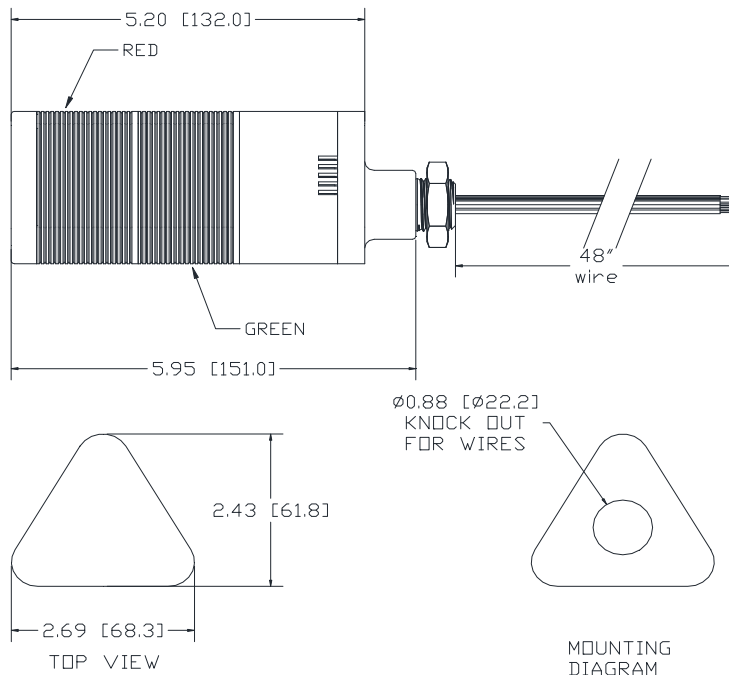
**Sales Outline Drawing**

**Specifications:**

|                        |  |  |  |  |
|------------------------|--|--|--|--|
| Stack Number:          | 1  | 2  |  |  |
| LED Color:             | RED  | GREEN  |  |  |
| Connection Wires:      | Red and Brown  | Green and Brown  |  |  |
| LED Current Draw:      | <30mA  |  |  |  |
| Rated Voltage:         | 120 VAC  |  |  |  |
| Operating Voltage:     | 90-120 VAC   |  |  |  |
| Sound Level Category:  | Loud   | Loud   | Loud   | Loud   |
| Mode of Operation:     | Continuous   | Medium Pulse (5PPS)  | Double Pulse (0.5PPS)  | Continuous for 5 sec then 0.1s beep until reset                              |
| Connection:            | Black and Gray Wires                                     | Black and Gray Wires; Orange wire connected to Green/Yellow wire | Black and Gray Wires; Purple wire connected to Green/Yellow wire | Black and Gray wires; Orange and Purple wires connected to Green/Yellow wire |
| Sound Current Draw:    | 40mA Max.  |  |  |  |
| Loudness @ 1m:         | 80-85 dB(A) Typ.   |  |  |  |
| Frequency:             | 2000 ± 500 Hz  |  |  |  |
| Operating Temperature: | -25° ~ +60°C   |  |  |  |
| Lens Color:            | Opaque White   |  |  |  |
| Material:              | ABS 777D   |  |  |  |
| Mounting Method:       | Direct Mount using 1/2" NPT Stainless Steel Pipe and Nut |  |  |  |
| Weight Typical (g):    | 470  |  |  |  |
| NEMA 3R,4X, & 12:      |  |  |  |  |
| Options:               | Please contact factory.                                  |  |  |  |

**Dimensions:** Inches (mm)

**ROHS Compliant**



**LED OPERATION:** CONNECT STACK COLOR WIRE TO POWER AND BROWN WIRE TO POWER.

**SOUND OPERATION:** CONNECT GRAY AND BLACK WIRES TO POWER FOR CONTINUOUS SOUND.  
 FOR MEDIUM PULSE, CONNECT GRAY & BLACK TO POWER AND ORANGE WIRE TO GREEN/YELLOW WIRE.  
 FOR DOUBLE PULSE, CONNECT GRAY & BLACK TO POWER AND PURPLE WIRE TO GREEN/YELLOW WIRE.  
 FOR CONT/BEEP, CONNECT GRAY & BLACK TO POWER AND ORANGE & PURPLE TO GREEN/YELLOW WIRE.