



Mallory Sonalert Products, Inc.

Part #: **JT120-R-CDL**

Sales Outline Drawing

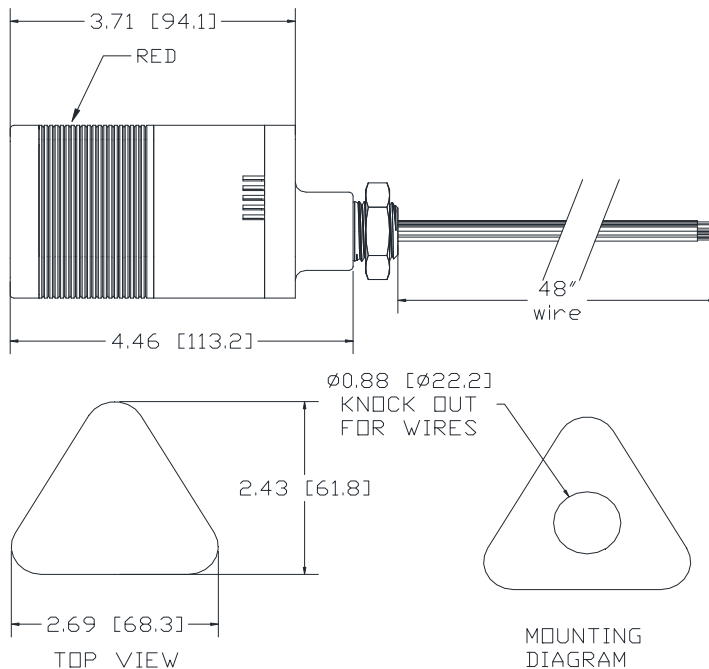
Revision: **A**

Specifications:

| | | | | |
|------------------------|--|--|--|--|
| Stack Number: | 1 | | | |
| LED Color: | RED | | | |
| Connection Wires: | Red and Brown | | | |
| LED Current Draw: | <30mA | | | |
| Rated Voltage: | 120 VAC | | | |
| Operating Voltage: | 90-120 VAC | | | |
| Sound Level Category: | Loud | Loud | Loud | Loud |
| Mode of Operation: | Continuous | Medium Pulse (5PPS) | Double Pulse (0.5PPS) | Continuous for 5 sec then 0.1s beep until reset |
| Connection: | Black and Gray Wires | Black and Gray Wires; Orange wire connected to Green/Yellow wire | Black and Gray Wires; Purple wire connected to Green/Yellow wire | Black and Gray wires; Orange and Purple wires connected to Green/Yellow wire |
| Sound Current Draw: | 40mA Max. | | | |
| Loudness @ 1m: | 80-85 dB(A) Typ. | | | |
| Frequency: | 2000 ± 500 Hz | | | |
| Operating Temperature: | -25° ~ +60°C | | | |
| Lens Color: | Opaque White | | | |
| Material: | ABS 777D | | | |
| Mounting Method: | Direct Mount using 1/2" NPT Stainless Steel Pipe and Nut | | | |
| Weight Typical (g): | 430 | | | |
| NEMA 3R,4X, & 12: | | | | |
| Options: | Please contact factory. | | | |

Dimensions: Inches (mm)

ROHS Compliant



LED OPERATION: CONNECT STACK COLOR WIRE TO POWER AND BROWN WIRE TO POWER.

SOUND OPERATION: CONNECT GRAY AND BLACK WIRES TO POWER FOR CONTINUOUS SOUND.

FOR MEDIUM PULSE, CONNECT GRAY & BLACK TO POWER AND ORANGE WIRE TO GREEN/YELLOW WIRE.

FOR DOUBLE PULSE, CONNECT GRAY & BLACK TO POWER AND PURPLE WIRE TO GREEN/YELLOW WIRE.

FOR CONT/BEEP, CONNECT GRAY & BLACK TO POWER AND ORANGE & PURPLE TO GREEN/YELLOW WIRE.