

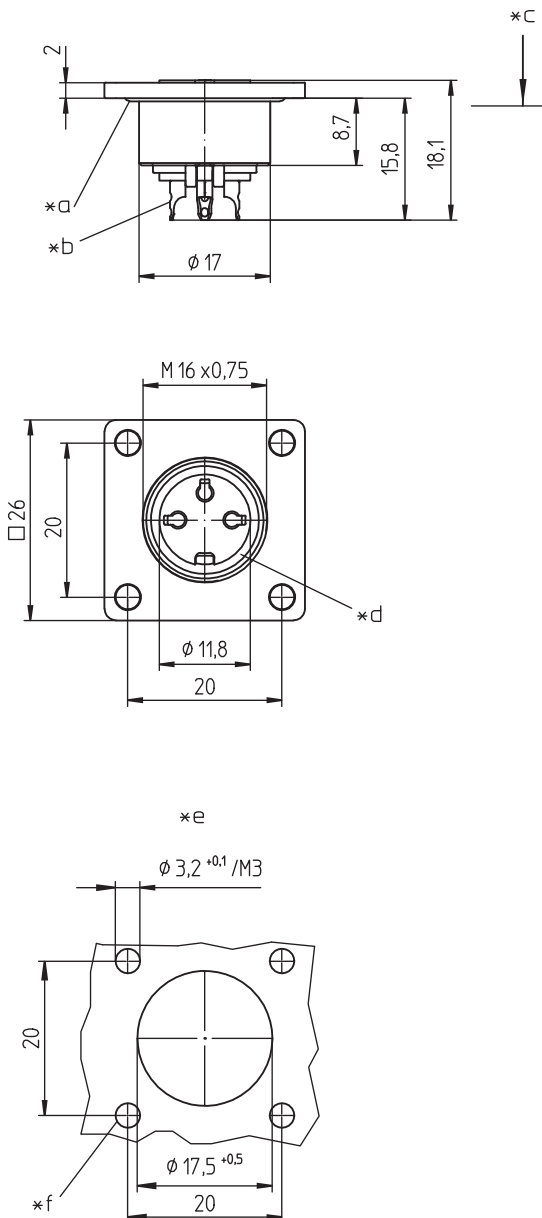
03 0308

Circular connectors with threaded joint M16 acc. to IEC 61076-2-106, IP40/IP68



Flange chassis socket acc. to IEC 61076-2-106, IP68, with threaded joint and solder terminals, for front mounting

03 0308



#### Environmental conditions

Temperature range -40 °C/+85 °C

#### Materials

Insulating body	PA GF, V-0 according to UL94
Contact bush	CuZn, silver-plated and flash gold-plated (3-8 poles) CuZn, pre-nickel and gold-plated (12-14 poles)
Housing	Zn diecast, pre-copper and nickel-plated
Seal	CR (flat), EPDM (O-ring)

#### Mechanical data

Insertion force/contact	≤ 5.0 N <sup>1</sup>
Withdrawal force/contact	≥ 1.2 N (3-8 poles) ≥ 0.9 N (12-14 poles) <sup>1</sup>
Tightening torque connector	1-3 Nm
Tightening torque nut	1-3 Nm
Protection class	IP68 <sup>2</sup>

<sup>1</sup> measured with a polished steel pin, nominal thickness 1.5 mm (1.0 mm with 12-14 poles)

<sup>2</sup> according to IEC DIN EN 60529, only in locked condition with an appropriate counterpart; IPX8 requirements under agreement between manufacturer and user

#### Connectable conductors for solder area

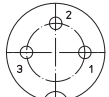
Section	≤ 0.75 mm <sup>2</sup> (AWG 20) (3-8 poles) ≤ 0.25 mm <sup>2</sup> (AWG 24) (12-14 poles)
---------	--

#### Electrical data (at T<sub>amb</sub> 20 °C)

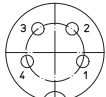
Contact resistance	≤ 5 mΩ
Rated current	5 A (T <sub>amb</sub> 40 °C, 3-8 poles) 3 A (T <sub>amb</sub> 40 °C, 12-14 poles)
Rated voltage	with pollution degree 1: 300 V (versions 03, 04, 05-1, 06, 07) 100 V (versions 05, 07-1, 08, 08-1) 160 V (versions 12, 14) with pollution degree 2: 250 V (versions 03, 04) 32 V (versions 05, 07-1, 08, 08-1) 160 V (versions 05-1, 06, 07, 12, 14)
Rated impulse voltage	1500 V (versions 03, 04, 05-1, 06, 07, 12, 14) 500 V (versions 05, 07-1, 08, 08-1)
Material group	II (IEC)/1 (UL) (400 ≤ CTI < 600)
Overvoltage category	I
Insulation resistance	> 100 MΩ

**03 0308**

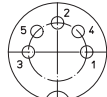
**Pin configurations, solder side view**



**03-a**  
**0308 03**



**04-a**  
**0308 04**



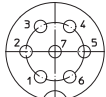
**05-b**  
**0308 05**



**05-a**  
**0308 05-1**



**06-a**  
**0308 06**



**07-a**  
**0308 07**



**07-b**  
**0308 07-1**



**0308 08**



**08-a**  
**0308 08-1**



**12-a**  
**0308 12**



**14-a**  
**0308 14**

**Associated products**

Counterparts

0331	0332	0332-1
033200	0365	036500

Accessories

0308 C 02	0322 C 16	0381
038199	038799	

- \*a O-ring gasket
- \*b cup-shaped solder terminal
- \*c mounting direction
- \*d flat gasket
- \*e port in mounting plate
- \*f provide for suitable sealing of screws

03

0308

Designation	Pole Number	PU (Pieces)	MDQ (Pieces)
0308 03	3	50	100
0308 04	4	50	100
0308 05	5	50	100
0308 05-1	5	50	100
0308 06	6	50	100
0308 07	7	50	100
0308 07-1	7	50	100
0308 08	8	50	100
0308 08-1	8	50	100
0308 12	12	50	100
0308 14	14	50	100

**Packaging:**

in a cardboard box