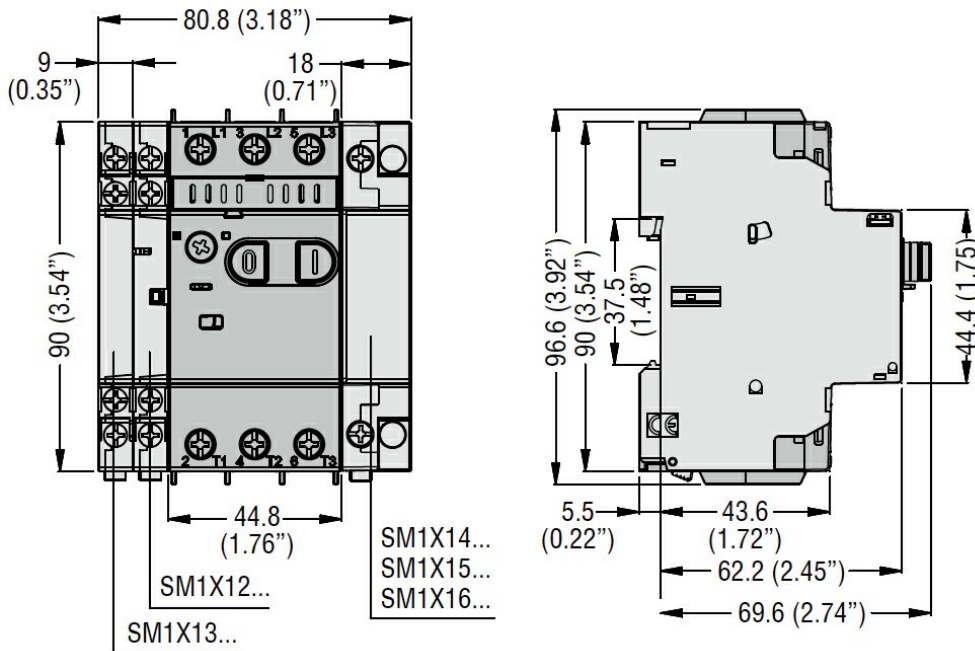




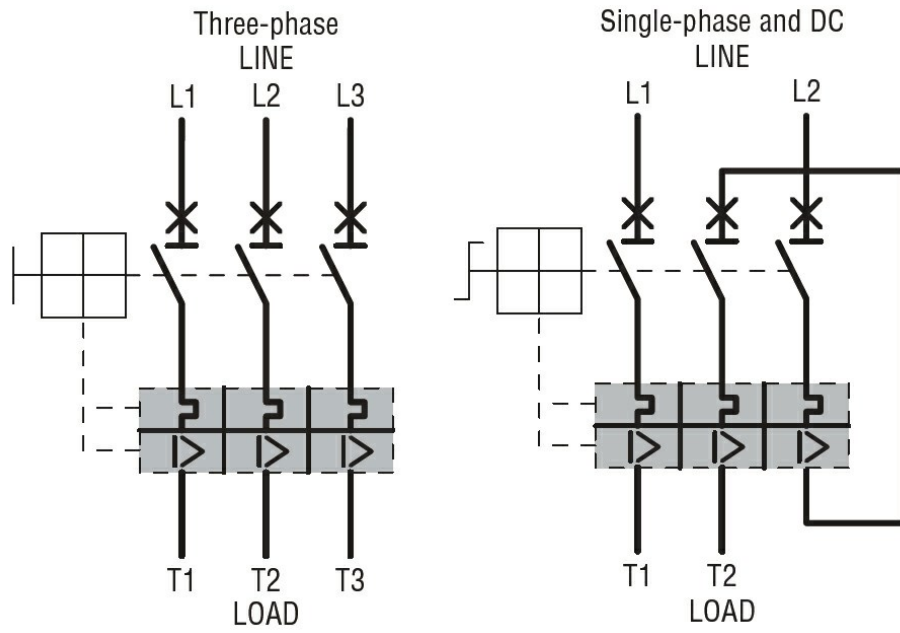
Product designation	SM1P		
Product type designation	Motor protective circuit breaker		
Electrical features			
Number of poles	nr.	3	
Magnetic protection		Yes	
Thermal protection		Yes	
Phase failure detection		Yes	
Rated insulation voltage U_i IEC/EN	V	690	
Rated impulse withstand voltage U_{imp}	kV	6	
Rated frequency	Hz	50/60	
Thermal trip adjustment range		13...18	
Rated current (I_n)	A	18	
Magnetic tripping		13 x I_n	
Operational short-circuit current breaking capacity (I_{cs}) at AC			
	230V	kA	50
	400V	kA	13
	440V	kA	5
	500V	kA	5
	690V	kA	3
Maximum short-circuit current breaking capacity (I_{cu}) at AC			
	230V	kA	100
	400V	kA	25
	440V	kA	10
	500V	kA	10
	690V	kA	3
Operations			
Mechanical life		Cycles	100,000
Electrical life		Cycles	100,000
Mechanical features			
Tightening torque for terminals			
	min	Nm	3
	max	Nm	3
	min	lbin	2
	max	lbin	2
Max number of wires simultaneously connectable		nr.	2
Conductor section			
AWG			
		/kcmil min	16
		/kcmil max	8
Flexible w/o lug conductor section			
	min	mm ²	1
	max	mm ²	10
Flexible c/w lug conductor section			
	min	mm ²	1
	max	mm ²	10
Flexible with insulated spade lug conductor section			
	min	mm ²	1
	max	mm ²	10
Screwdriver			PH2
Power terminal protection according to IEC/EN 60529			IP20
Cable stripping length			
	main circuit	mm	1
Ambient conditions			
Temperature			
Operating temperature			
	min	°C	-20
	max	°C	60
Storage temperature			
	min	°C	-50
	max	°C	80
Compensation temperature			
	min	°C	-20
	max	°C	50
Max altitude		m	3,000
Operational position			

	Operating position normal Operating position allowable	Su piano verticale Qualsiasi	
Fixing		A vite / profilato omega 35mm	
Weight		g	350
UL technical data			
UL508 / UL60947-4-1 Manual Motor Controller - Short circuit current			
Motor Disconnect		at 240V at 480V protection	kA 30 kA 30 100A class J
Group Motor Installation			
		at 240V at 480V protection	kA 30 kA 30 100A class J
Tap Conductor Protection			
		at 480Y/277V at 600Y/347V	kA 50 kA 50
UL508 / UL 60947-4-1 Manual Self Protected Combination Motor Controller (Type E) Short circuit current			
		UL508 / UL 60947-4-1 Manual Self Protected Combination Motor Controller (Type E) Short-circuit cur	50
		UL508 / UL 60947-4-1 Manual Self Protected Combination Motor Controller (Type E) Short-circuit cur	50
		UL508 / UL 60947-4-1 Manual Self Protected Combination Motor Controller (Type E) Short-circuit cur	50
Maximum UL/CSA horsepower ratings single-phase			
		at 110V-120V at 220V-240V	hp 1 hp 2
Maximum UL/CSA horsepower ratings three-phase, 3-pole			
		at 200V-208V at 220V-240V at 440V-480V at 550V-600V	hp 3 hp 3 hp 10 hp -

Dimensions



Wiring diagrams



Certifications and compliance

Certifications

CSA C22.2 n° 14
IEC/EN 60947-1
IEC/EN 60947-2
IEC/EN 60947-4-1
UL508

Compliance

cULus
EAC

ETIM 6 classification