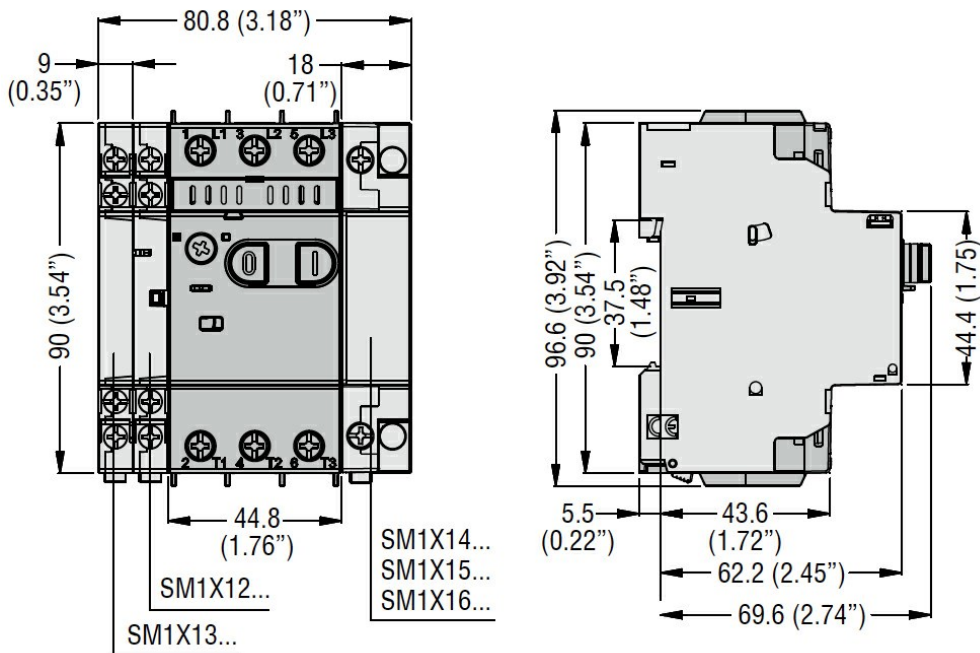




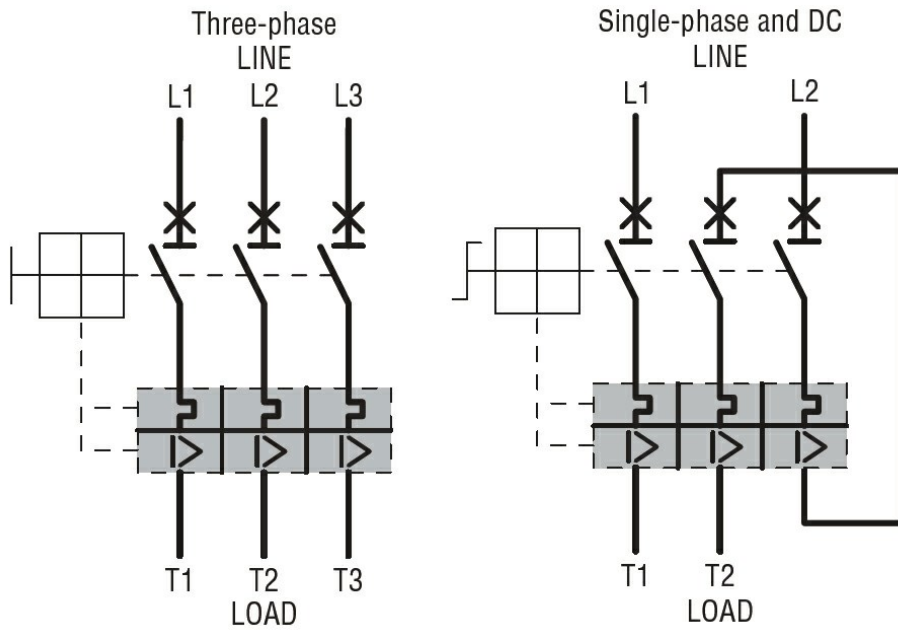
| | | | |
|--|----------------------------------|-----------------|-------|
| Product designation | SM1P | | |
| Product type designation | Motor protective circuit breaker | | |
| Electrical features | | | |
| Number of poles | nr. | 3 | |
| Magnetic protection | | Yes | |
| Thermal protection | | Yes | |
| Phase failure detection | | Yes | |
| Rated insulation voltage U_i IEC/EN | V | 690 | |
| Rated impulse withstand voltage U_{imp} | kV | 6 | |
| Rated frequency | Hz | 50/60 | |
| Thermal trip adjustment range | | 6,3...10 | |
| Rated current (I_n) | A | 10 | |
| Magnetic tripping | | 13 x I_n | |
| Operational short-circuit current breaking capacity (I_{cs}) at AC | | | |
| | 230V | kA | 100 |
| | 400V | kA | 100 |
| | 440V | kA | 13 |
| | 500V | kA | 13 |
| | 690V | kA | 3 |
| Maximum short-circuit current breaking capacity (I_{cu}) at AC | | | |
| | 230V | kA | 100 |
| | 400V | kA | 100 |
| | 440V | kA | 25 |
| | 500V | kA | 25 |
| | 690V | kA | 3 |
| Operations | | | |
| Mechanical life | Cycles | 100,000 | |
| Electrical life | Cycles | 100,000 | |
| Mechanical features | | | |
| Tightening torque for terminals | | | |
| | min | Nm | 3 |
| | max | Nm | 3 |
| | min | lbin | 2 |
| | max | lbin | 2 |
| Max number of wires simultaneously connectable | nr. | 2 | |
| Conductor section | | | |
| AWG | | | |
| | /kcmil min | 16 | |
| | /kcmil max | 8 | |
| Flexible w/o lug conductor section | | | |
| | min | mm ² | 1 |
| | max | mm ² | 10 |
| Flexible c/w lug conductor section | | | |
| | min | mm ² | 1 |
| | max | mm ² | 10 |
| Flexible with insulated spade lug conductor section | | | |
| | min | mm ² | 1 |
| | max | mm ² | 10 |
| Screwdriver | | PH2 | |
| Power terminal protection according to IEC/EN 60529 | | IP20 | |
| Cable stripping length | | | |
| | main circuit | mm | 1 |
| Ambient conditions | | | |
| Temperature | | | |
| Operating temperature | | | |
| | min | °C | -20 |
| | max | °C | 60 |
| Storage temperature | | | |
| | min | °C | -50 |
| | max | °C | 80 |
| Compensation temperature | | | |
| | min | °C | -20 |
| | max | °C | 50 |
| Max altitude | | m | 3,000 |
| Operational position | | | |

| | Operating position normal Operating position allowable | | Su piano verticale Qualsiasi |
|--|--|----|----------------------------------|
| Fixing | | | A vite / profilato omega 35mm |
| Weight | | g | 350 |
| UL technical data | | | |
| UL508 / UL60947-4-1 Manual Motor Controller - Short circuit current | | | |
| Motor Disconnect | | | |
| | at 240V | kA | 30 |
| | at 480V | kA | 30 |
| | at 600V | kA | 30 |
| | protection | | 100A class J |
| Group Motor Installation | | | |
| | at 240V | kA | 30 |
| | at 480V | kA | 30 |
| | at 600V | kA | 30 |
| | protection | | 100A class J |
| Tap Conductor Protection | | | |
| | at 480Y/277V | kA | 50 |
| | at 600Y/347V | kA | 50 |
| UL508 / UL 60947-4-1 Manual Self Protected Combination Motor Controller (Type E) Short circuit current | | | |
| | UL508 / UL 60947-4-1 Manual Self Protected Combination Motor Controller (Type E) Short-circuit cur | kA | 50 |
| | UL508 / UL 60947-4-1 Manual Self Protected Combination Motor Controller (Type E) Short-circuit cur | kA | 50 |
| | UL508 / UL 60947-4-1 Manual Self Protected Combination Motor Controller (Type E) Short-circuit cur | kA | 50 |
| Maximum UL/CSA horsepower ratings single-phase | | | |
| | at 110V-120V | hp | 1 |
| | at 220V-240V | hp | 2 |
| Maximum UL/CSA horsepower ratings three-phase, 3-pole | | | |
| | at 200V-208V | hp | 3 |
| | at 220V-240V | hp | 3 |
| | at 440V-480V | hp | 10 |
| | at 550V-600V | hp | - |

Dimensions



Wiring diagrams



Certifications and compliance

Certifications

CSA C22.2 n° 14
IEC/EN 60947-1
IEC/EN 60947-2
IEC/EN 60947-4-1
UL508

Compliance

cULus
EAC

ETIM 6 classification