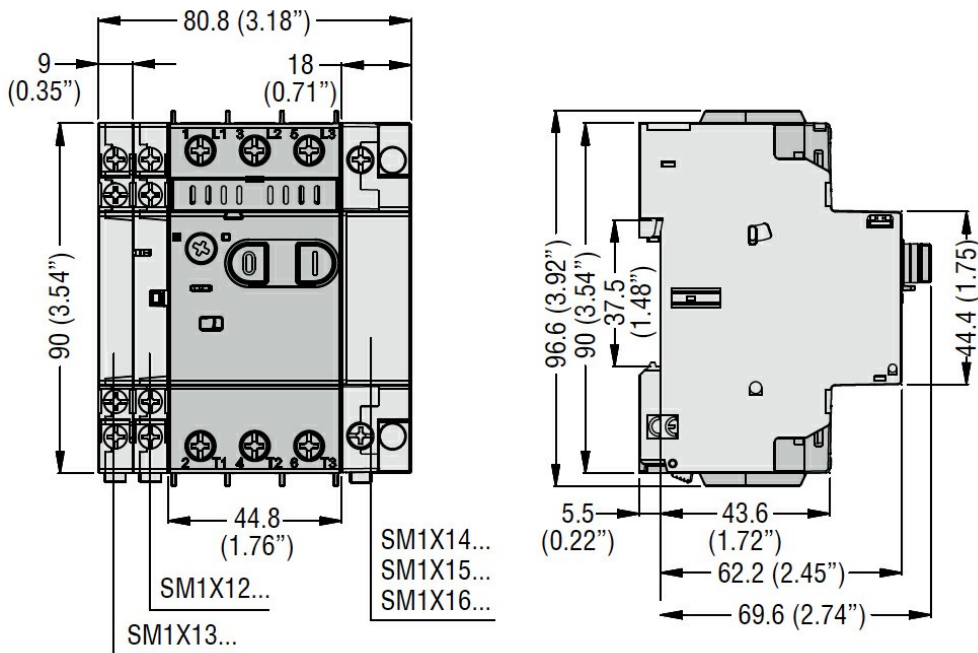




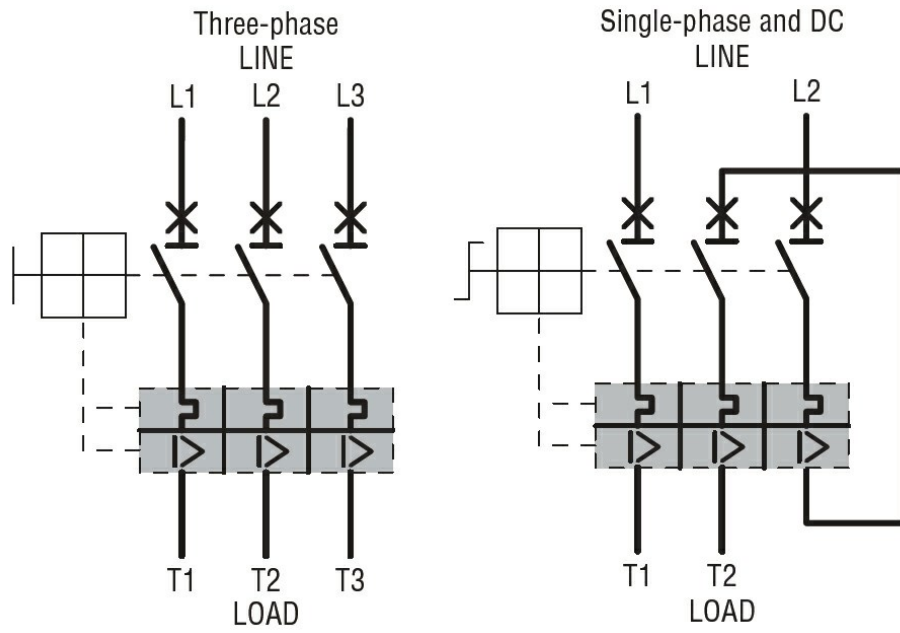
Product designation	SM1P		
Product type designation	Motor protective circuit breaker		
Electrical features			
Number of poles	nr.	3	
Magnetic protection		Yes	
Thermal protection		Yes	
Phase failure detection		Yes	
Rated insulation voltage Ui IEC/EN	V	690	
Rated impulse withstand voltage Uimp	kV	6	
Rated frequency	Hz	50/60	
Thermal trip adjustment range		0,16...0,25	
Rated current (In)	A	-	
Magnetic tripping		13 x In	
Operational short-circuit current breaking capacity (Ics) at AC			
	230V	kA	100
	400V	kA	100
	440V	kA	100
	500V	kA	100
	690V	kA	100
Maximum short-circuit current breaking capacity (Icu) at AC			
	230V	kA	100
	400V	kA	100
	440V	kA	100
	500V	kA	100
	690V	kA	100
Operations			
Mechanical life	Cycles	100,000	
Electrical life	Cycles	100,000	
Mechanical features			
Tightening torque for terminals			
	min	Nm	3
	max	Nm	3
	min	lbin	2
	max	lbin	2
Max number of wires simultaneously connectable	nr.	2	
Conductor section			
AWG			
	/kcmil min	16	
	/kcmil max	8	
Flexible w/o lug conductor section			
	min	mm ²	1
	max	mm ²	10
Flexible c/w lug conductor section			
	min	mm ²	1
	max	mm ²	10
Flexible with insulated spade lug conductor section			
	min	mm ²	1
	max	mm ²	10
Screwdriver		PH2	
Power terminal protection according to IEC/EN 60529		IP20	
Cable stripping length			
	main circuit	mm	1
Ambient conditions			
Temperature			
Operating temperature			
	min	°C	-20
	max	°C	60
Storage temperature			
	min	°C	-50
	max	°C	80
Compensation temperature			
	min	°C	-20
	max	°C	50
Max altitude		m	3,000
Operational position			

	Operating position normal Operating position allowable		Su piano verticale Qualsiasi
Fixing			A vite / profilato omega 35mm
Weight		g	280
UL technical data			
UL508 / UL60947-4-1 Manual Motor Controller - Short circuit current			
Motor Disconnect			
	at 240V	kA	50
	at 480V	kA	50
	at 600V	kA	50
	protection		Fuse or CB
Group Motor Installation			
	at 240V	kA	50
	at 480V	kA	50
	at 600V	kA	50
	protection		Fuse or CB
Tap Conductor Protection			
	at 480Y/277V	kA	50
	at 600Y/347V	kA	50
UL508 / UL 60947-4-1 Manual Self Protected Combination Motor Controller (Type E) Short circuit current			
	UL508 / UL 60947-4-1 Manual Self Protected Combination Motor Controller (Type E) Short-circuit cur	kA	50
	UL508 / UL 60947-4-1 Manual Self Protected Combination Motor Controller (Type E) Short-circuit cur	kA	50
	UL508 / UL 60947-4-1 Manual Self Protected Combination Motor Controller (Type E) Short-circuit cur	kA	50
Maximum UL/CSA horsepower ratings single-phase			
	at 110V-120V	hp	1
	at 220V-240V	hp	2
Maximum UL/CSA horsepower ratings three-phase, 3-pole			
	at 200V-208V	hp	3
	at 220V-240V	hp	3
	at 440V-480V	hp	10
	at 550V-600V	hp	-

Dimensions



Wiring diagrams



Certifications and compliance

Certifications

CSA C22.2 n° 14
IEC/EN 60947-1
IEC/EN 60947-2
IEC/EN 60947-4-1
UL508

Compliance

cULus
EAC

ETIM 6 classification