



Product designation	Switch disconnecter with fuse		
Product type designation	GM		
Type of fuse	L		
Number of poles	nr.	3	
Operating voltage type	AC		
<b>Electrical features</b>			
Conventional free air thermal current I <sub>th</sub> IEC/EN	A	800	
Rated insulation voltage U <sub>i</sub> IEC/EN	V	1000	
Rated impulse withstand voltage U <sub>imp</sub>	kV	12	
Operational current I <sub>e</sub>			
	Operating current I <sub>e</sub> AC21A 400V	A	800
	Operating current I <sub>e</sub> AC21A 500V	A	800
	Operating current I <sub>e</sub> AC21A 690V	A	800
	Operating current I <sub>e</sub> AC22A 400V	A	800
	Operating current I <sub>e</sub> AC22A 500V	A	800
	Operating current I <sub>e</sub> AC22A 690V	A	800
	Operating current I <sub>e</sub> AC23A 400V	A	800
	Operating current I <sub>e</sub> AC23A 500V	A	800
	Operating current I <sub>e</sub> AC23A 690V	A	800
Power dissipation per pole max	W	75	
Power dissipation per pole without fuse	W	75	
Max fuse power dissipation			
	in open air	W	55
	in enclosure	W	55
Rated operational power AC23A			
	400V	kW	450
	690V	kW	710
Rated short time current (1s) I <sub>cw</sub> (rms)	kA	20000	
Short-circuit protection with fuse	Class/A	L/800	
Making capacity AC23A 400V	A	8000	
Breaking capacity AC23A 400V	A	6400	
<b>Operations</b>			
Mechanical life	Cycles	3000	
Electrical life AC21A	Cycles	500 (AC23A 400V)	
<b>Ambient conditions</b>			
Operating temperature			
	min	°C	-25
	max	°C	55
Storage temperature			
	min	°C	-40
	max	°C	70
Max altitude	m	3000	
<b>Mechanical features</b>			

Operational position

Operating position normal	Vertical plan
Operating position allowable	Any

Fixing	Screw
--------	-------

Terminals	type	Bar
-----------	------	-----

Tightening torque for terminals	max	Nm	56.5
	max	lbin	41.6

Tightening torque for fuse links bolts	Nm	40
Tightening torque for terminal lug	Nm	54

Conductor section	min (AWG/kcmil)	(2x) 2
-------------------	-----------------	--------

Terminal kit lugs	GMX504
-------------------	--------

Frontal IP degree	IP20
-------------------	------

Pollution degree	3
------------------	---

**UL technical data**

Compliance	UL98
------------	------

General purpose current rating	A	800
--------------------------------	---	-----

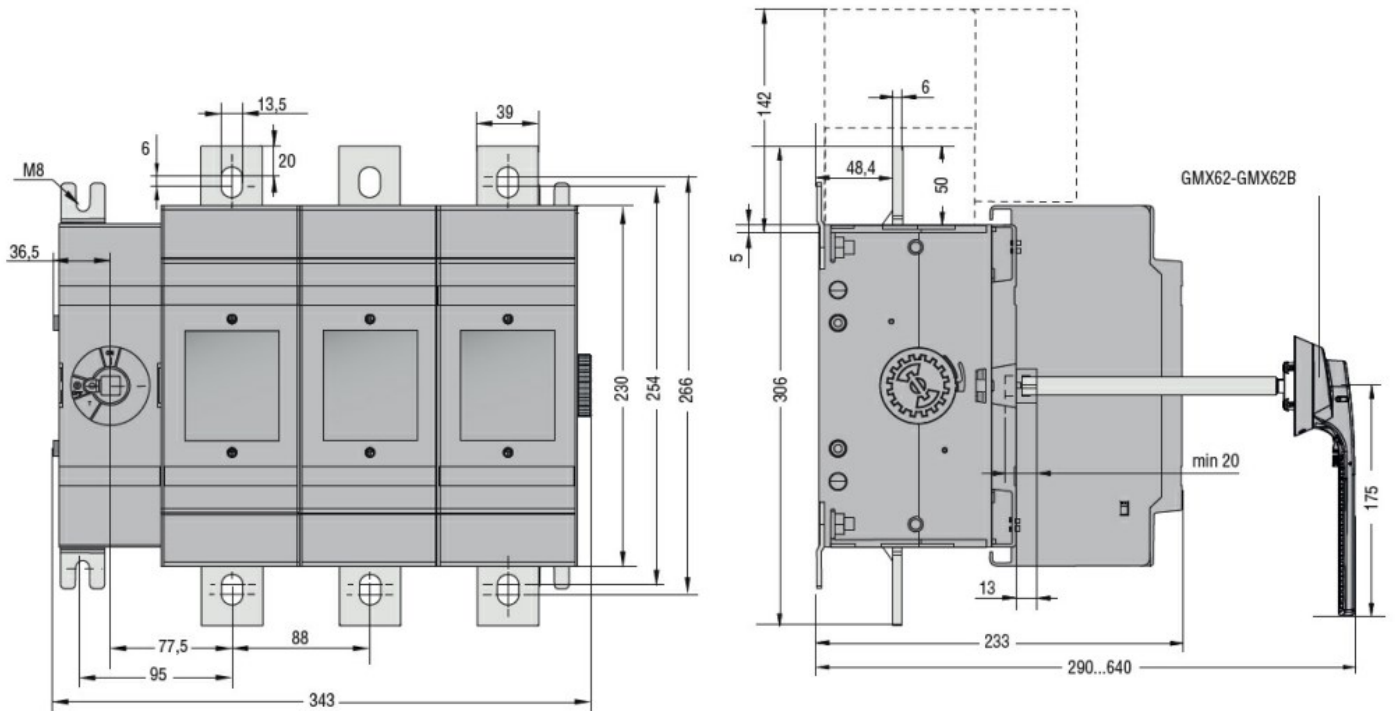
Operating voltage max	V	600
-----------------------	---	-----

Horsepower/FLA current three phase motor	240V	250/602
	480V	500/590
	600V	600/472

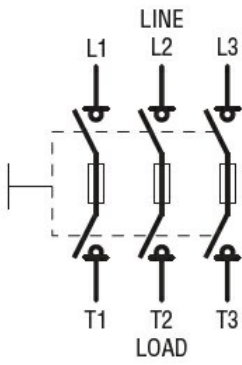
Short circuit rating	kA rms	200
----------------------	--------	-----

Short circuit rating with fuse	Class/A	L/800
--------------------------------	---------	-------

**Dimensions**



**Wiring diagrams**



**Certifications and compliance**

**Compliance**

IEC/EN 60947-1

IEC/EN 60947-3

**Certifications**

cULus according to UL98/CSA C22.2 n°4