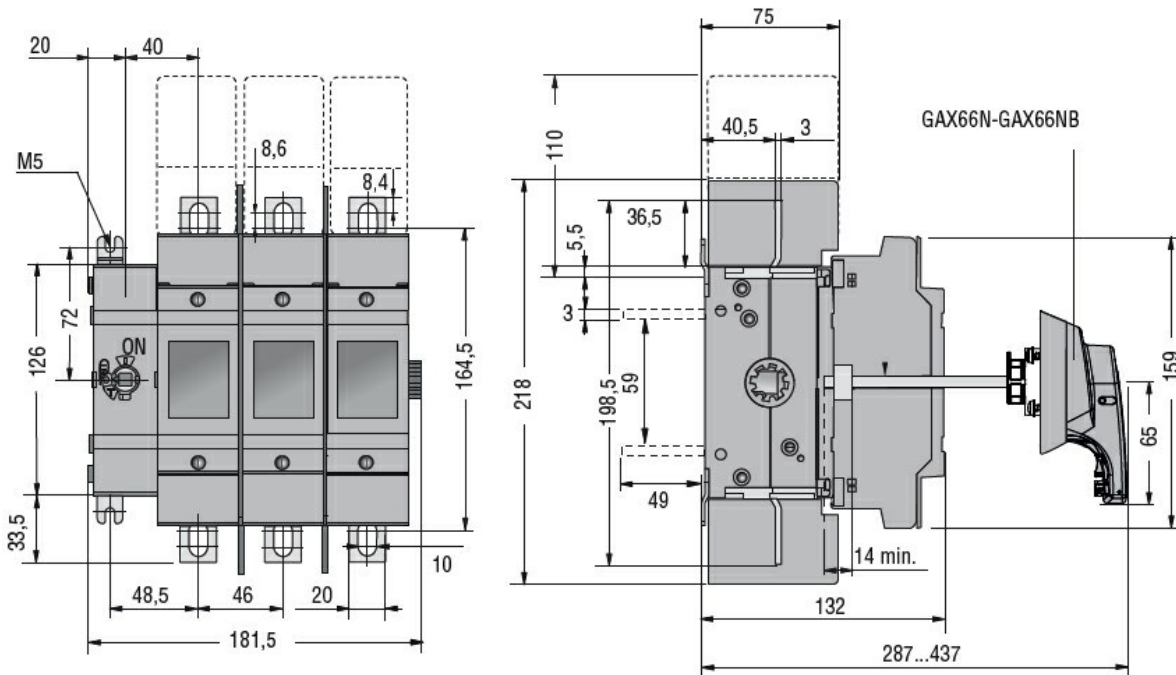


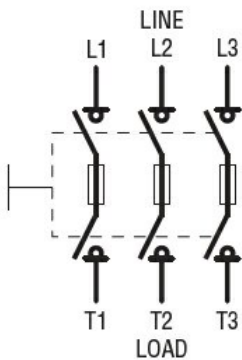
Product designation				Switch disconnecter with fuse
Product type designation				GM
Type of fuse				J
Number of poles	nr.			3
Operating voltage type				AC
Electrical features				
Conventional free air thermal current I _{th} IEC/EN	A			200
Rated insulation voltage U _i IEC/EN	V			1000
Rated impulse withstand voltage U _{imp}	kV			12
Operational current I _e				
	Operating current I _e AC21A 400V	A	200	
	Operating current I _e AC21A 500V	A	200	
	Operating current I _e AC21A 690V	A	200	
	Operating current I _e AC22A 400V	A	200	
	Operating current I _e AC22A 500V	A	200	
	Operating current I _e AC22A 690V	A	200	
	Operating current I _e AC23A 400V	A	200	
	Operating current I _e AC23A 500V	A	200	
	Operating current I _e AC23A 690V	A	200	
Power dissipation per pole max	W			8
Power dissipation per pole without fuse	W			8
Max fuse power dissipation			in open air	W 15
			in enclosure	W 15
Rated operational power AC23A			400V	kW 110
			690V	kW 200
Rated short time current (1s) I _{cs} (rms)			kA	8000
Short-circuit protection with fuse			Class/A	J/200
Making capacity AC23A 400V			A	2000
Breaking capacity AC23A 400V			A	1600
Operations				
Mechanical life			Cycles	8000
Electrical life AC21A			Cycles	6000
Ambient conditions				
Operating temperature			min °C	-25
			max °C	55
Storage temperature			min °C	-40
			max °C	70
Max altitude			m	3000
Mechanical features				
Operational position			Operating position normal	Vertical plan
			Operating position allowable	Any
Fixing			Screw	
Terminals			type	Bar
Tightening torque for terminals			max Nm	31

	max	Ibin	23
Tightening torque for fuse links bolts		Nm	4
Tightening torque for terminal lug		Nm	8
Terminal kit lugs			GMX501
Frontal IP degree			IP20
Pollution degree			3
UL technical data			
Compliance			UL98
General purpose current rating		A	200
Operating voltage max		V	600
Horsepower/FLA current three phase motor			
	240V		60/154
	480V		125/156
	600V		150/144
Short circuit rating		kA rms	200
Short circuit rating with fuse		Class/A	J/200

Dimensions



Wiring diagrams



Certifications and compliance

Compliance

IEC/EN 60947-1
IEC/EN 60947-3

Certifications

cULus according to UL98/CSA C22.2 n°4