



Product designation	Switch disconnecter with fuse		
Product type designation	GM		
Type of fuse	J		
Number of poles	nr.	3	
Operating voltage type	AC		
Electrical features			
Conventional free air thermal current I _{th} IEC/EN	A	63	
Rated insulation voltage U _i IEC/EN	V	1000	
Rated impulse withstand voltage U _{imp}	kV	12	
Operational current I _e			
	Operating current I _e AC21A 400V	A	63
	Operating current I _e AC21A 500V	A	63
	Operating current I _e AC21A 690V	A	63
	Operating current I _e AC22A 400V	A	63
	Operating current I _e AC22A 500V	A	63
	Operating current I _e AC22A 690V	A	63
	Operating current I _e AC23A 400V	A	63
	Operating current I _e AC23A 500V	A	63
	Operating current I _e AC23A 690V	A	63
Power dissipation per pole max	W	4	
Power dissipation per pole without fuse	W	4	
Max fuse power dissipation			
	in open air	W	7.5
	in enclosure	W	7.5
Rated operational power AC23A			
	400V	kW	30
	690V	kW	55
Rated short time current (1s) I _{cw} (rms)	kA	2500	
Short-circuit protection with fuse	Class/A	J/60	
Making capacity AC23A 400V	A	630	
Breaking capacity AC23A 400V	A	504	
Operations			
Mechanical life	Cycles	10000	
Electrical life AC21A	Cycles	6000	
Ambient conditions			
Operating temperature			
	min	°C	-25
	max	°C	55
Storage temperature			
	min	°C	-40
	max	°C	70
Max altitude	m	3000	
Mechanical features			

Operational position

Operating position normal
Operating position allowable

Vertical plan
Any

Fixing

Screw

Terminals

type

Built-in terminal
lug

Tightening torque for terminals

max Nm 3.5
max lbin 2.5

Conductor section

Cable min (IEC) mm² 2.5
Cable max (IEC) mm² 25
min (AWG/kcmil) 14
max (AWG/kcmil) 4

Frontal IP degree

IP20

Pollution degree

3

UL technical data

Compliance

UL98

General purpose current rating

A 60

Operating voltage max

V 600

Horsepower/FLA current three phase motor

240V 15/42
480V 30/40
600V 52/52

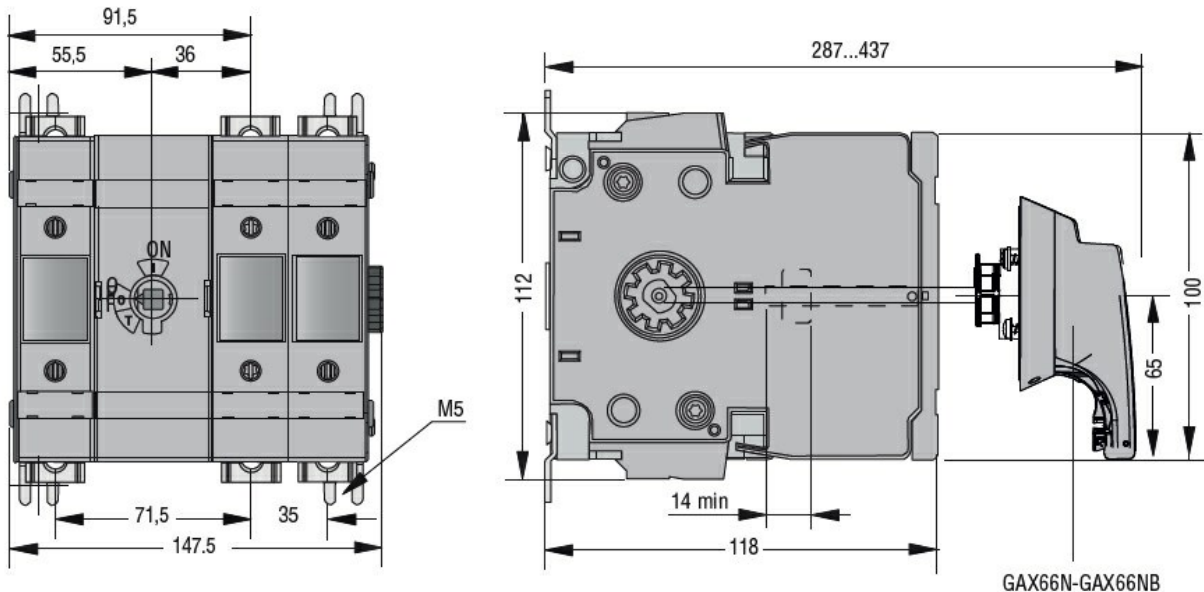
Short circuit rating

kA rms 200

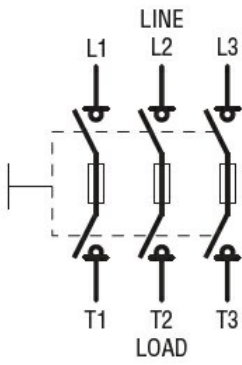
Short circuit rating with fuse

Class/A J/60

Dimensions



Wiring diagrams



Certifications and compliance

Compliance

IEC/EN 60947-1

IEC/EN 60947-3

Certifications

cULus according to UL98/CSA C22.2 n°4