

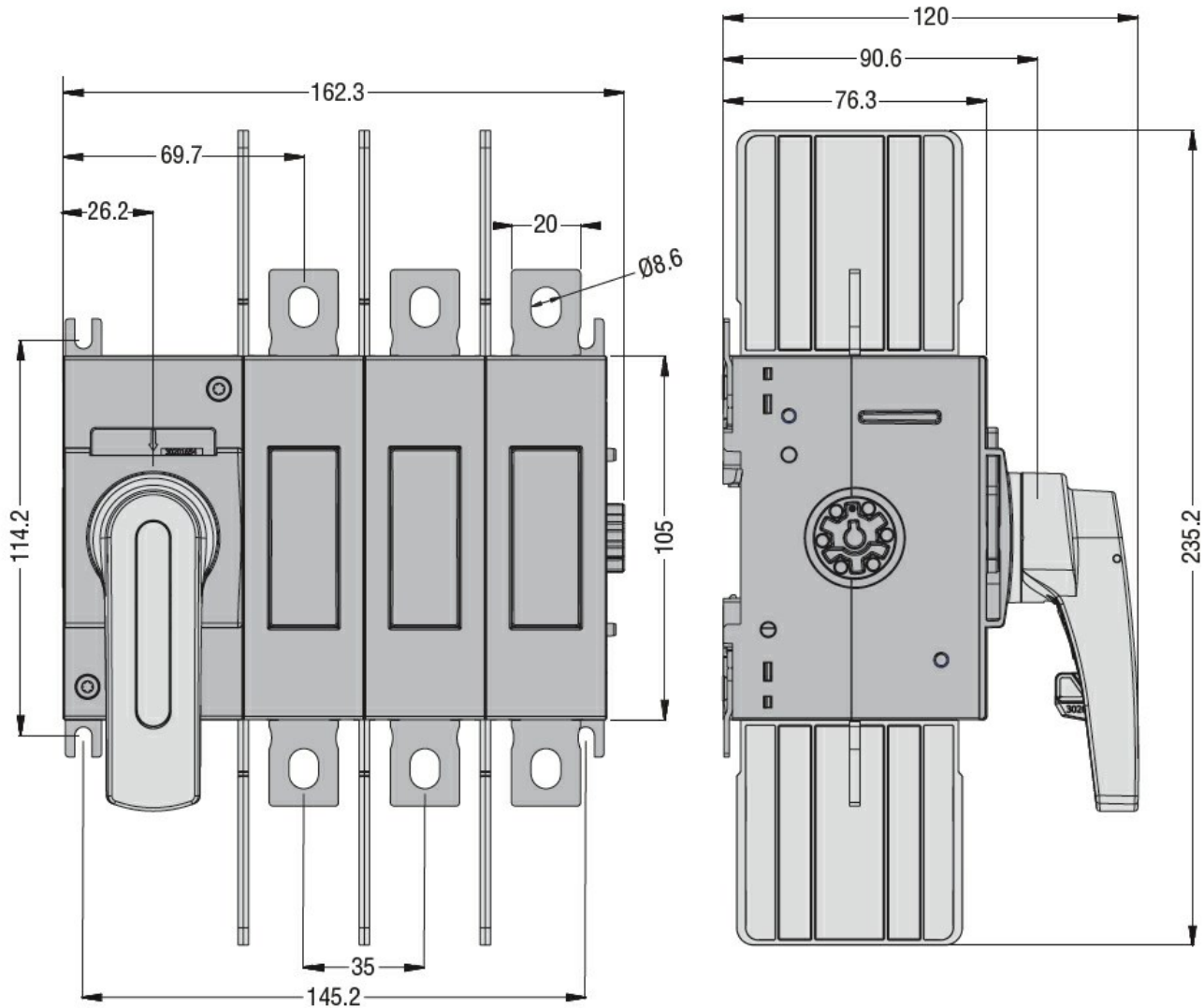


Product designation	Switch disconnecter		
Product type designation	GL		
Number of poles	nr.	3	
Operating voltage type		AC	
<b>Electrical features</b>			
Conventional free air thermal current I <sub>th</sub> IEC/EN	A	200	
Rated insulation voltage U <sub>i</sub> IEC/EN	V	1000	
Rated impulse withstand voltage U <sub>imp</sub>	kV	12	
Operational current I <sub>e</sub>			
	Operating current I <sub>e</sub> AC21A 400V	A	200
	Operating current I <sub>e</sub> AC21A 500V	A	200
	Operating current I <sub>e</sub> AC21A 690V	A	200
	Operating current I <sub>e</sub> AC22A 400V	A	200
	Operating current I <sub>e</sub> AC22A 500V	A	200
	Operating current I <sub>e</sub> AC22A 690V	A	200
	Operating current I <sub>e</sub> AC23A 400V	A	200
	Operating current I <sub>e</sub> AC23A 500V	A	200
	Operating current I <sub>e</sub> AC23A 690V	A	200
Power dissipation per pole max	W	4	
Rated operational power AC23A			
	400V	kW	110
	690V	kW	200
Rated short time current (1s) I <sub>cw</sub> (rms)	kA	8000	
Conditional short-circuit current (rms)	kA	100	
Short-circuit protection with fuse	Class/A	J/200	
Making capacity AC23A 400V	A	2000	
Breaking capacity AC23A 400V	A	1600	
<b>Operations</b>			
Mechanical life	Cycles	20000	
<b>Ambient conditions</b>			
Operating temperature			
	min	°C	-25
	max	°C	55
Storage temperature			
	min	°C	-40
	max	°C	70
Max altitude	m	3000	
<b>Mechanical features</b>			
Operational position			
	Operating position normal	Vertical plan	
	Operating position allowable	Any	
Fixing		Screw / DIN rail 35mm	
Terminals			

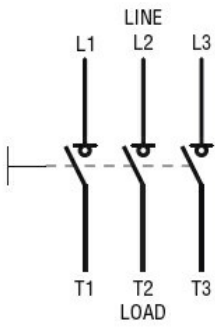
	type screw	Bar M8
Tightening torque for terminals	min	Nm 15
	max	Nm 22
	min	lbin 11
Bar dimensions max	20x3	
Terminal kit lugs	GLX501	
Frontal IP degree	IP20	
Pollution degree	3	
<b>UL technical data</b>		
Compliance	UL98 / CSA C22.2 n°4	
General purpose current rating	A	200
Operating voltage max	V	600
Horsepower/FLA current three phase motor	240V	75/192
	480V	150/180
	600V	200/192

Short circuit rating	kA rms	200
Short circuit rating with fuse	Class/A	J/200

**Dimensions**



### Wiring diagrams



### Certifications and compliance

#### Compliance

IEC/EN 60947-1

IEC/EN 60947-3

#### Certifications

cULus

EAC