

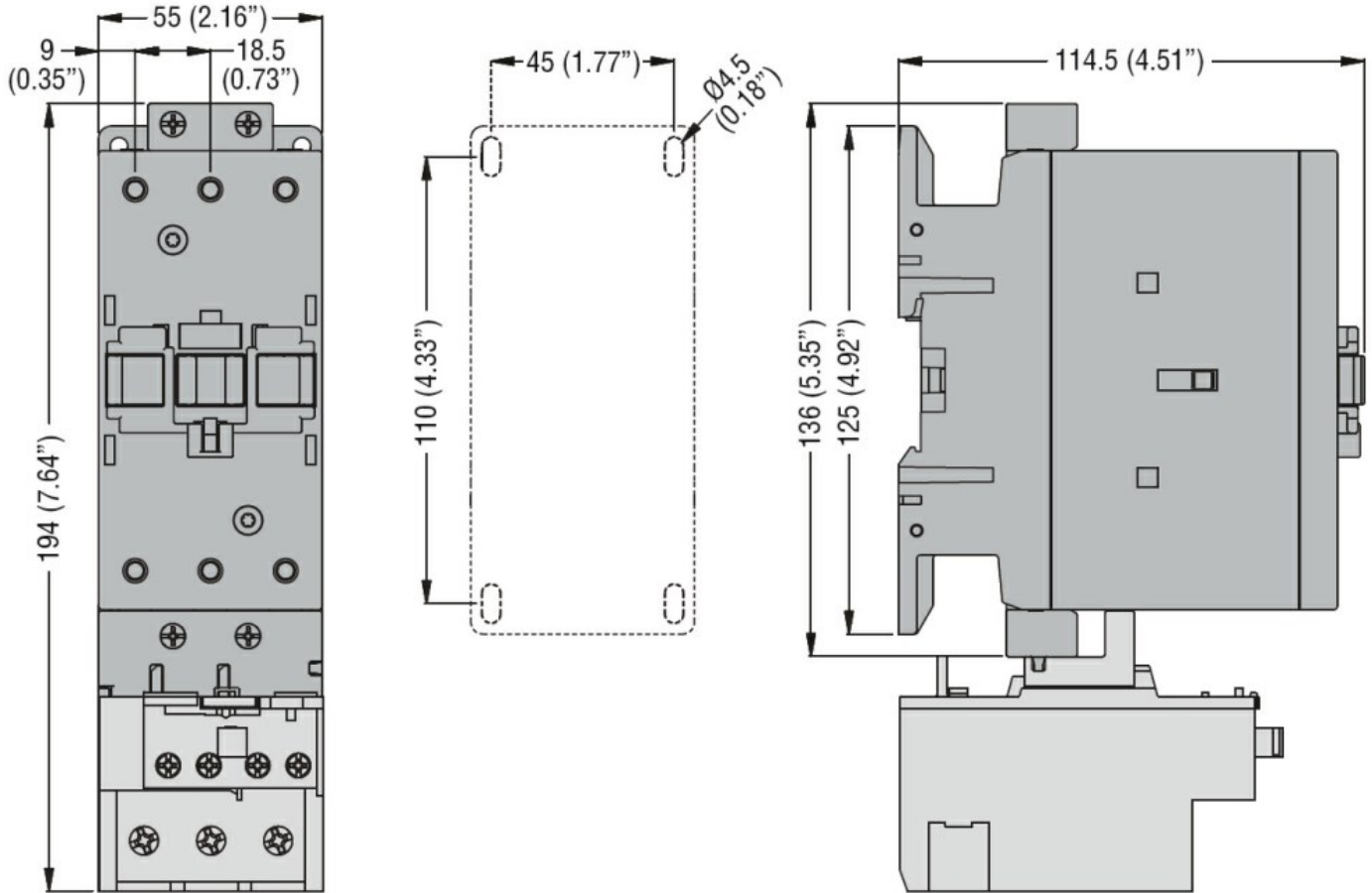
Product designation				Power contactor
Product type designation				DPBF50
<b>Contact characteristics</b>				
Number of poles		Nr.	3	
Operational frequency		min	Hz	25
		max	Hz	400
<b>Mechanical features</b>				
Operating position		normal	Vertical plan	
		allowable	±30°	
Fixing				Screw / DIN rail 35mm
Weight		g	1020	
<b>Operations</b>				
Mechanical life		cycles	15000000	
Electrical life		cycles	1400000	
<b>Safety related data</b>				
Performance level B10d according to EN/ISO 13489-1				
		rated load	cycles	1400000
		mechanical load	cycles	15000000
Mirror contacts according to IEC/EN 60947-4-1				yes
EMC compatibility				yes
<b>AC coil operating</b>				
Rated AC voltage at 50/60Hz		V	24	
Rated AC voltage at 60Hz		V	24	
AC operating voltage				
of 50/60Hz coil powered at 50Hz				
pick-up				
		min	%Us	75
		max	%Us	115
drop-out				
		min	%Us	20
		max	%Us	55
of 50/60Hz coil powered at 60Hz				
pick-up				
		min	%Us	80
		max	%Us	115
drop-out				
		min	%Us	20
		max	%Us	55
of 60Hz coil powered at 60Hz				
pick-up				
		min	%Us	80
		max	%Us	110
drop-out				
		min	%Us	20
		max	%Us	55
AC average coil consumption at 20°C				
of 50/60Hz coil powered at 50Hz				
		in-rush	VA	30
		holding	VA	4
of 50/60Hz coil powered at 60Hz				

		in-rush	VA	25
		holding	VA	3
of 60Hz coil powered at 60Hz				
		in-rush	VA	210
		holding	VA	15
Dissipation at holding ≤20°C 50Hz			W	5
<b>Max cycles frequency</b>				
Mechanical operation			cycles/h	3600
<b>Operating times</b>				
Average time for Us control				
	in AC			
		Closing NO		
			min	ms
			max	ms
		Opening NO		
			min	ms
			max	ms
		Closing NC		
			min	ms
			max	ms
		Opening NC		
			min	ms
			max	ms
	in DC			
		Closing NO		
			min	ms
			max	ms
		Opening NO		
			min	ms
			max	ms
<b>UL technical data</b>				
Full-load current (FLA) for three-phase AC motor				
			at 600V	A
				70
General USE				
	Contactor			
			AC current	A
				90
Short-circuit protection fuse, 600V				
	High fault			
		Short circuit current	kA	100
		Fuse rating	A	150
		Fuse class		J
	Standard fault			
		Short circuit current	kA	5
		Fuse rating	A	150
		Fuse class		RK5
<b>Ambient conditions</b>				
Temperature				
	Operating temperature			
			min	°C
			max	°C
	Storage temperature			
			min	°C
			max	°C
Max altitude			m	3000
<b>Resistance &amp; Protection</b>				

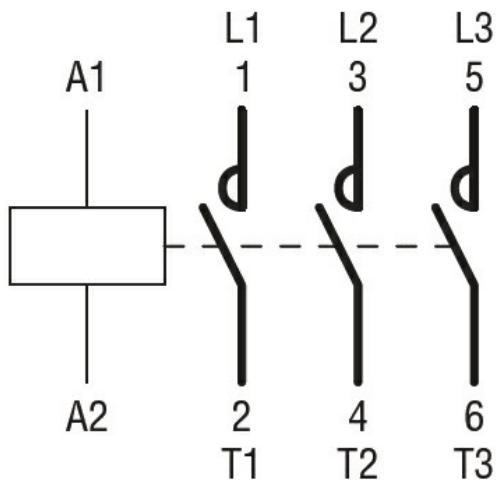
Pollution degree

3

**Dimensions**



**Wiring diagrams**



**Certifications and compliance**

**Compliance**

- CSA C22.2 n° 60947-1
- CSA C22.2 n° 60947-4-60
- UL 60947-1
- UL 60947-4-1

**Certificates**

cULus

ETIM classification

ETIM 8.0

EC000066 -  
Power contactor,  
AC switching