

| | | | | |
|--|-------------------------------|-----------------------|----------|-----------------|
| Product designation | | | | Power contactor |
| Product type designation | | | | DPBF32 |
| Contact characteristics | | | | |
| Number of poles | Nr. | 3 | | |
| Operational frequency | min | Hz | 25 | |
| | max | Hz | 400 | |
| Mechanical features | | | | |
| Operating position | normal allowable | Vertical plan ±30° | | |
| Fixing | Screw / DIN rail 35mm | | | |
| Weight | g | 422 | | |
| Operations | | | | |
| Mechanical life | cycles | 20000000 | | |
| Electrical life | cycles | 1600000 | | |
| Safety related data | | | | |
| Performance level B10d according to EN/ISO 13489-1 | rated load mechanical load | cycles | 1600000 | |
| | | cycles | 20000000 | |
| Mirror contacts according to IEC/EN 60947-4-1 | yes | | | |
| EMC compatibility | yes | | | |
| AC coil operating | | | | |
| Rated AC voltage at 60Hz | V | 460 | | |
| AC operating voltage | of 60Hz coil powered at 60Hz | | | |
| | pick-up | | | |
| | min | %Us | 80 | |
| | max | %Us | 110 | |
| | drop-out | | | |
| | min | %Us | 20 | |
| | max | %Us | 55 | |
| AC average coil consumption at 20°C | of 60Hz coil powered at 60Hz | | | |
| | in-rush | VA | 75 | |
| | holding | VA | 9 | |
| Dissipation at holding ≤20°C 50Hz | W | 2.5 | | |
| Max cycles frequency | | | | |
| Mechanical operation | cycles/h | 3600 | | |
| Operating times | | | | |
| Average time for Us control | in AC | | | |
| | Closing NO | | | |
| | min | ms | 8 | |
| | max | ms | 24 | |
| | Opening NO | | | |
| | min | ms | 5 | |
| | max | ms | 15 | |
| | Closing NC | | | |
| | min | ms | 9 | |
| | max | ms | 20 | |
| | Opening NC | | | |

| | | |
|-----|----|----|
| min | ms | 9 |
| max | ms | 17 |

UL technical data

Full-load current (FLA) for three-phase AC motor

| | | |
|---------|---|----|
| at 600V | A | 50 |
|---------|---|----|

Yielded mechanical performance

for single-phase AC motor

| | | |
|----------|----|----|
| 110/120V | HP | 3 |
| 230V | HP | 10 |

for three-phase AC motor

| | | |
|----------|----|----|
| 200/208V | HP | 15 |
| 220/230V | HP | 15 |
| 460/480V | HP | 30 |
| 575/600V | HP | 40 |

General USE

Contactor

| | | |
|------------|---|----|
| AC current | A | 55 |
|------------|---|----|

Short-circuit protection fuse, 600V

Standard fault

| | | |
|-----------------------|----|-----|
| Short circuit current | kA | 5 |
| Fuse rating | A | 150 |
| Fuse class | | RK5 |

Ambient conditions

Temperature

Operating temperature

| | | |
|-----|----|-----|
| min | °C | -50 |
| max | °C | 70 |

Storage temperature

| | | |
|-----|----|-----|
| min | °C | -60 |
| max | °C | 80 |

Max altitude

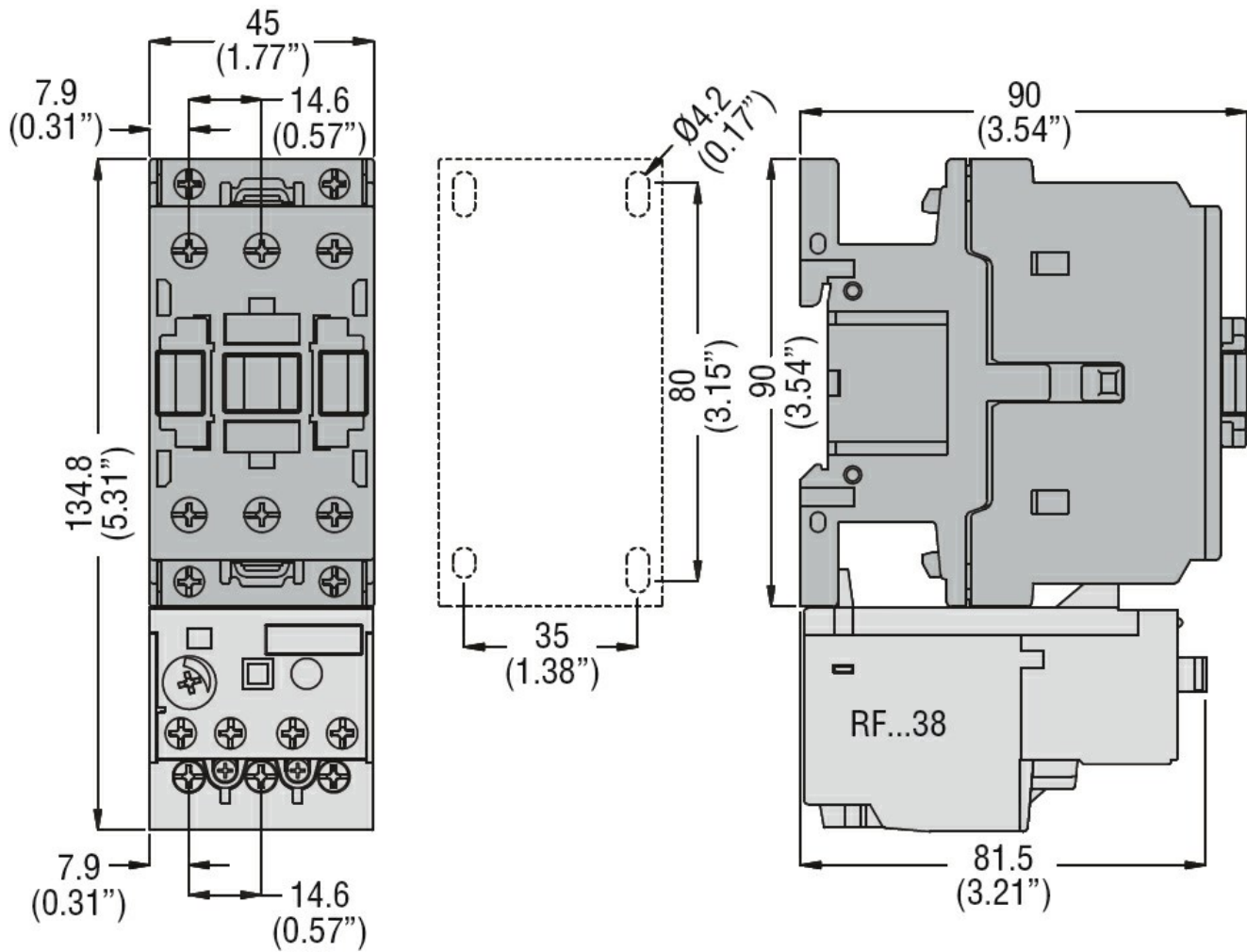
| | |
|---|------|
| m | 3000 |
|---|------|

Resistance & Protection

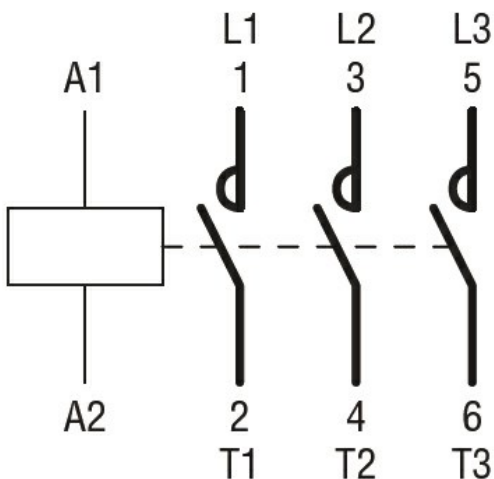
Pollution degree

3

Dimensions



Wiring diagrams



Certifications and compliance

Compliance

- CSA C22.2 n° 60947-1
- CSA C22.2 n° 60947-4-57
- UL 60947-1
- UL 60947-4-1

Certificates

cULus

ETIM classification

ETIM 8.0

EC000066 -
Power contactor,
AC switching