



| | | | | |
|--|--|--------|----------|-----------------------|
| Product designation | | | | Power contactor |
| Product type designation | | | | DPBF26 |
| Contact characteristics | | | | |
| Number of poles | Nr. | | | 4 |
| Operational frequency | min | Hz | 25 | |
| | max | Hz | 400 | |
| Mechanical features | | | | |
| Operating position | normal allowable | | | Vertical plan ±30° |
| Fixing | | | | Screw / DIN rail 35mm |
| Weight | | | g | 508 |
| Operations | | | | |
| Mechanical life | | | cycles | 20000000 |
| Electrical life | | | cycles | 1600000 |
| Safety related data | | | | |
| Performance level B10d according to EN/ISO 13489-1 | rated load mechanical load | cycles | 1600000 | |
| | | cycles | 20000000 | |
| Mirror contacts according to IEC/EN 60947-4-1 | | | | yes |
| EMC compatibility | | | | yes |
| AC coil operating | | | | |
| Rated AC voltage at 60Hz | | | V | 24 |
| AC operating voltage | of 50/60Hz coil powered at 50Hz drop-out | | max | %Us 0 |
| | of 60Hz coil powered at 60Hz pick-up | | min | %Us 80 |
| | | | max | %Us 110 |
| | drop-out | | min | %Us 20 |
| | | | max | %Us 55 |
| AC average coil consumption at 20°C of 60Hz coil powered at 60Hz | in-rush | VA | 75 | |
| | holding | VA | 9 | |
| Dissipation at holding ≤20°C 50Hz | | | W | 2.5 |
| Max cycles frequency | | | | |
| Mechanical operation | | | | cycles/h 3600 |
| Operating times | | | | |
| Average time for Us control | | | | |

| | | | | |
|-------|------------|-----|----|----|
| in AC | Closing NO | min | ms | 8 |
| | | max | ms | 24 |
| | Opening NO | min | ms | 5 |
| | | max | ms | 15 |
| | Closing NC | min | ms | 9 |
| | | max | ms | 20 |
| | Opening NC | min | ms | 9 |
| | | max | ms | 17 |

UL technical data

Full-load current (FLA) for three-phase AC motor

at 600V A 40

Yielded mechanical performance

for single-phase AC motor

| | | |
|----------|----|-----|
| 110/120V | HP | 3 |
| 230V | HP | 7.5 |

for three-phase AC motor

| | | |
|----------|----|----|
| 200/208V | HP | 10 |
| 220/230V | HP | 10 |
| 460/480V | HP | 30 |
| 575/600V | HP | 30 |

General USE

Contactor

AC current A 45

Short-circuit protection fuse, 600V

Standard fault

| | | |
|-----------------------|----|-----|
| Short circuit current | kA | 5 |
| Fuse rating | A | 125 |
| Fuse class | | RK5 |

Ambient conditions

Temperature

Operating temperature

| | | |
|-----|----|-----|
| min | °C | -50 |
| max | °C | 70 |

Storage temperature

| | | |
|-----|----|-----|
| min | °C | -60 |
| max | °C | 80 |

Max altitude

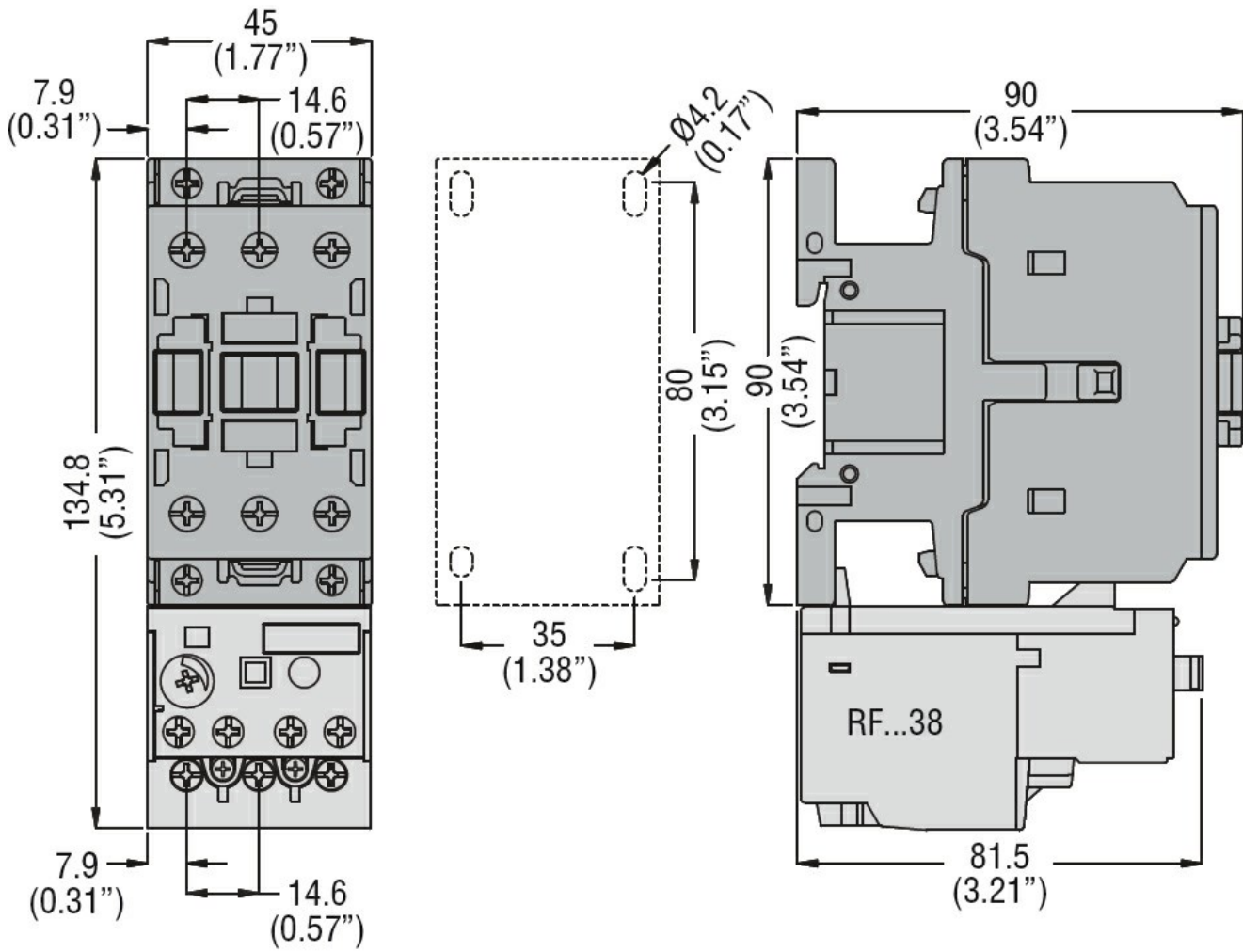
m 3000

Resistance & Protection

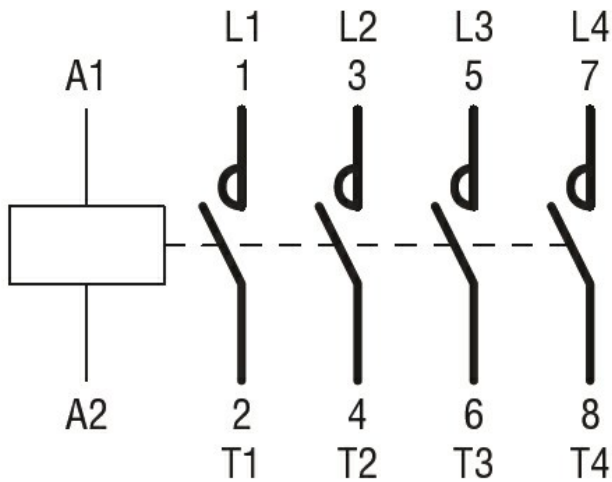
Pollution degree

3

Dimensions



Wiring diagrams



Certifications and compliance

Compliance

- CSA C22.2 n° 60947-1
- CSA C22.2 n° 60947-4-49
- UL 60947-1
- UL 60947-4-1

Certificates

cULus

ETIM classification

ETIM 8.0

EC000066 -
Power contactor,
AC switching