

Product designation				Power contactor
Product type designation				DPBF18
<b>Contact characteristics</b>				
Number of poles		Nr.	3	
Operational frequency		min	Hz	25
		max	Hz	400
<b>Mechanical features</b>				
Operating position		normal allowable	Vertical plan ±30°	
Fixing				Screw / DIN rail 35mm
Weight		g	492	
<b>Operations</b>				
Mechanical life		cycles	20000000	
Electrical life		cycles	1600000	
<b>Safety related data</b>				
Performance level B10d according to EN/ISO 13489-1		rated load mechanical load	cycles cycles	1600000 20000000
Mirror contacts according to IEC/EN 60947-4-1				yes
EMC compatibility				yes
<b>AC coil operating</b>				
Rated AC voltage at 60Hz		V	24	
AC operating voltage	of 50/60Hz coil powered at 50Hz drop-out	max	%Us	0
		of 60Hz coil powered at 60Hz		
	pick-up	min	%Us	80
		max	%Us	110
	drop-out	min	%Us	20
		max	%Us	55
AC average coil consumption at 20°C	of 60Hz coil powered at 60Hz	in-rush	VA	75
		holding	VA	9
Dissipation at holding ≤20°C 50Hz				W 2.5
<b>DC coil operating</b>				
DC rated control voltage				V 24
DC operating voltage	pick-up	min	%Us	70
		max	%Us	125
	drop-out	min	%Us	10
		max	%Us	40
Average coil consumption ≤20°C				in-rush
				holding
		W	5.4	
		W	5.4	

**Max cycles frequency**

Mechanical operation cycles/h 3600

**Operating times**

Average time for Us control

in AC

Closing NO

min ms 8  
max ms 24

Opening NO

min ms 10  
max ms 20

Closing NC

min ms 14  
max ms 28

Opening NC

min ms 7  
max ms 18

in DC

Closing NO

min ms 54  
max ms 66

Opening NO

min ms 14  
max ms 17

**UL technical data**

Full-load current (FLA) for three-phase AC motor

at 600V A 30

Yielded mechanical performance

for single-phase AC motor

110/120V HP 2  
230V HP 5

for three-phase AC motor

200/208V HP 7.5  
220/230V HP 7.5  
460/480V HP 15  
575/600V HP 20

**General USE**

Contactor

AC current A 32

Auxiliary contacts

AC voltage V 600  
AC current A 10  
DC voltage V 250  
DC current A 1

Short-circuit protection fuse, 600V

Standard fault

Short circuit current kA 5  
Fuse rating A 100  
Fuse class RK5

Contact rating of auxiliary contacts according to UL

A600 - P600

**Ambient conditions**

Temperature

Operating temperature

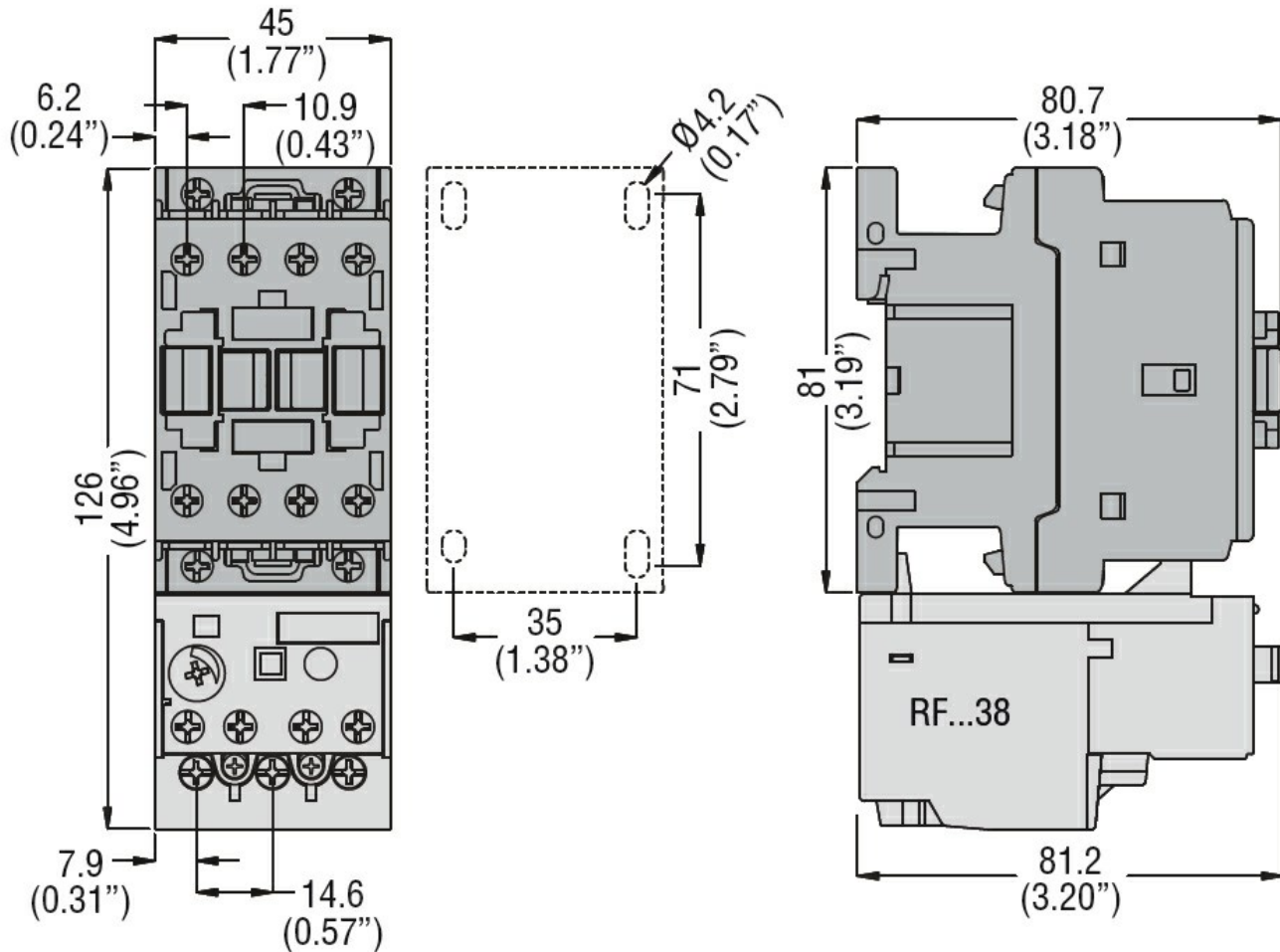
min °C -50

	max	°C	70
Storage temperature	min	°C	-60
	max	°C	80
Max altitude		m	3000

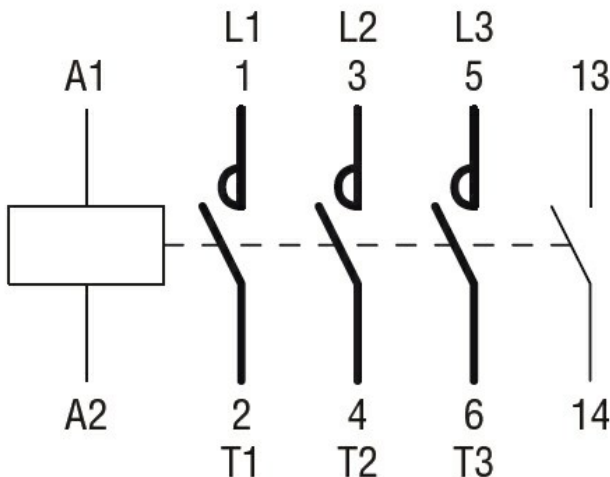
**Resistance & Protection**

Pollution degree	3
------------------	---

**Dimensions**



**Wiring diagrams**



**Certifications and compliance**

**Compliance**

CSA C22.2 n° 60947-1

CSA C22.2 n° 60947-4-39

UL 60947-1

UL 60947-4-1

Certificates

cULus

ETIM classification

ETIM 8.0

EC000066 -  
Power contactor,  
AC switching