

Product designation				Power contactor
Product type designation				DPBF09
Contact characteristics				
Number of poles		Nr.	3	
Operational frequency		min	Hz	25
		max	Hz	400
Mechanical features				
Operating position		normal allowable	Vertical plan ±30°	
Fixing			Screw / DIN rail 35mm	
Weight		g	490	
Operations				
Mechanical life		cycles	20000000	
Electrical life		cycles	2000000	
Safety related data				
Performance level B10d according to EN/ISO 13489-1		rated load mechanical load	cycles	2000000
			cycles	20000000
Mirror contacts according to IEC/EN 60947-4-1			yes	
EMC compatibility			yes	
AC coil operating				
Rated AC voltage at 50/60Hz		V	24	
AC operating voltage	of 50/60Hz coil powered at 50Hz			
	pick-up	min	%Us	80
		max	%Us	110
	drop-out	min	%Us	20
		max	%Us	55
	of 50/60Hz coil powered at 60Hz			
	pick-up	min	%Us	85
		max	%Us	110
	drop-out	min	%Us	20
		max	%Us	55
AC average coil consumption at 20°C	of 50/60Hz coil powered at 50Hz			
		in-rush	VA	75
		holding	VA	9
	of 50/60Hz coil powered at 60Hz			
		in-rush	VA	70
		holding	VA	6.5
	of 60Hz coil powered at 60Hz			
		in-rush	VA	75
		holding	VA	9
Dissipation at holding ≤20°C 50Hz		W	2.5	
DC coil operating				
DC rated control voltage		V	24	

DC operating voltage			
pick-up	min	%Us	70
	max	%Us	125
drop-out			
	min	%Us	10
	max	%Us	40

Average coil consumption $\leq 20^{\circ}\text{C}$			
	in-rush	W	5.4
	holding	W	5.4

Max cycles frequency

Mechanical operation	cycles/h	3600
----------------------	----------	------

Operating times

Average time for Us control			
in AC			
Closing NO	min	ms	8
	max	ms	24
Opening NO	min	ms	10
	max	ms	20
Closing NC	min	ms	14
	max	ms	28
Opening NC	min	ms	7
	max	ms	18
in DC			
Closing NO	min	ms	54
	max	ms	66
Opening NO	min	ms	14
	max	ms	17

UL technical data

Full-load current (FLA) for three-phase AC motor			
	at 600V	A	20

Yielded mechanical performance			
for single-phase AC motor			
	110/120V	HP	1.5
	230V	HP	3
for three-phase AC motor			
	200/208V	HP	5
	220/230V	HP	5
	460/480V	HP	10
	575/600V	HP	15

General USE			
Contactor			
	AC current	A	25
Auxiliary contacts			
	AC voltage	V	600
	AC current	A	10
	DC voltage	V	250
	DC current	A	1

Short-circuit protection fuse, 600V

Standard fault

Short circuit current	kA	5
Fuse rating	A	70
Fuse class		RK5

Contact rating of auxiliary contacts according to UL

A600 - P600

Ambient conditions

Temperature

Operating temperature

min	°C	-50
max	°C	70

Storage temperature

min	°C	-60
max	°C	80

Max altitude

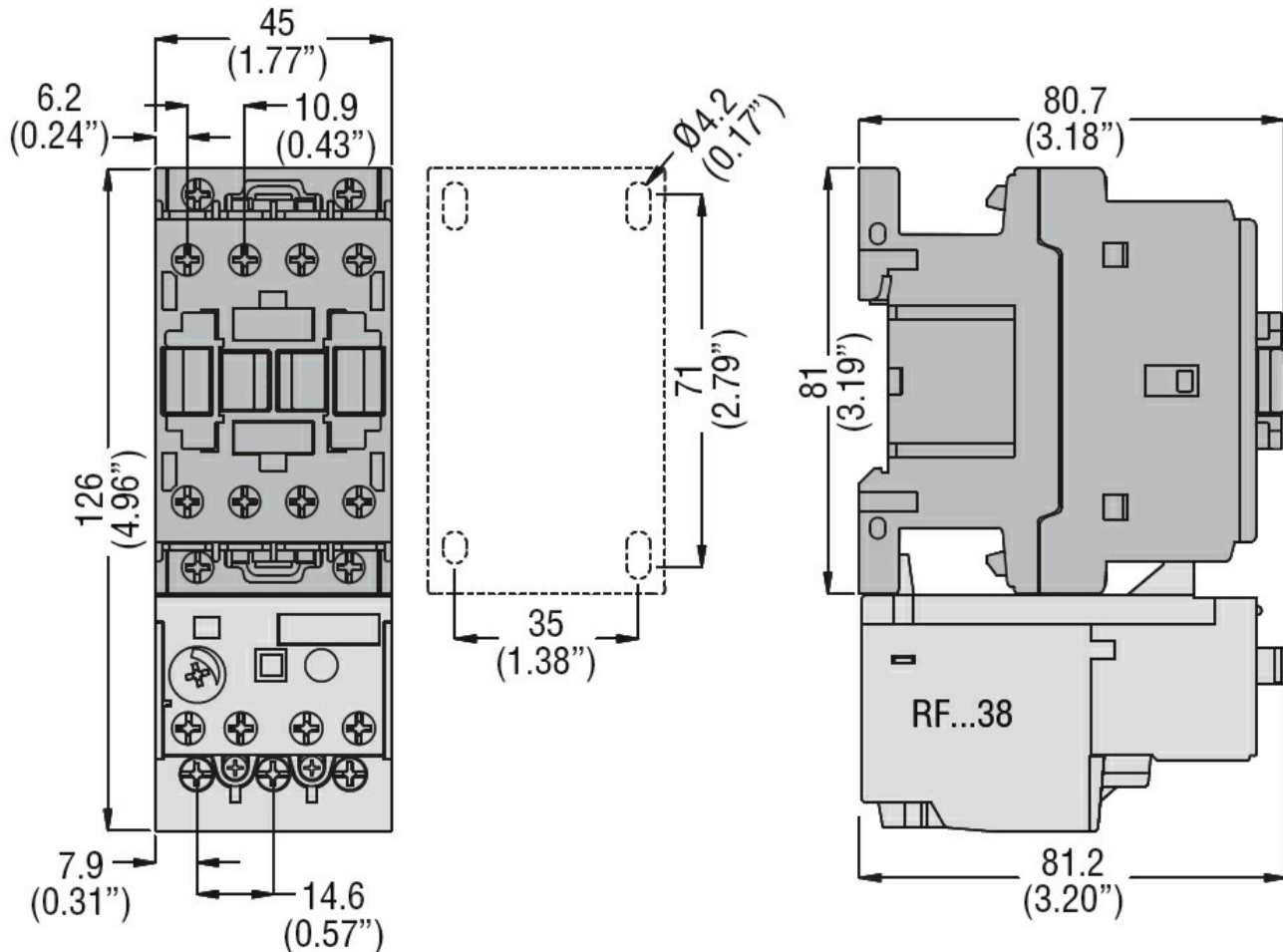
m 3000

Resistance & Protection

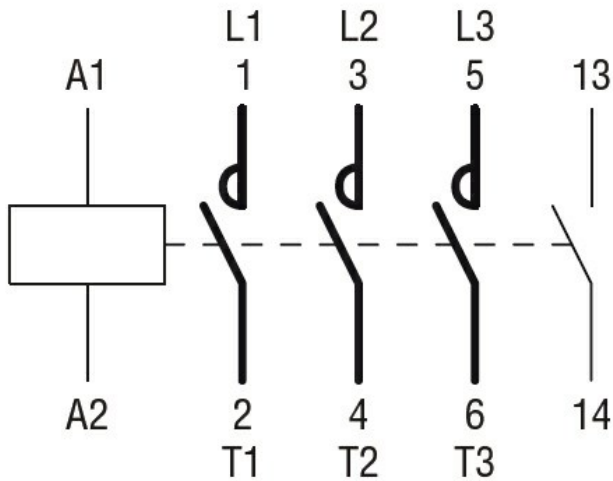
Pollution degree

3

Dimensions



Wiring diagrams



Certifications and compliance

Compliance

CSA C22.2 n° 60947-1

CSA C22.2 n° 60947-4-11

UL 60947-1

UL 60947-4-1

Certificates

cULus

ETIM classification

ETIM 8.0

EC000066 -
 Power contactor,
 AC switching