



Product designation				Auxiliary contactor
Product type designation				BF00
<b>Contact characteristics</b>				
Number of poles	Nr.			4
Rated insulation voltage $U_i$ IEC/EN	V			690
Rated impulse withstand voltage $U_{imp}$	kV			6
Operational frequency	min	Hz	25	
	max	Hz	400	
IEC Conventional free air thermal current $I_{th}$	A			10
Short-time allowable current for 10s (IEC/EN60947-1)	A			0
Protection fuse	gG (IEC)	A	25	
	Tightening torque for terminals			
	min	Nm	1.5	
	max	Nm	1.8	
	min	I <sub>bin</sub>	1.1	
	max	I <sub>bin</sub>	1.5	
Tightening torque for coil terminal	min	Nm	0.8	
	max	Nm	1	
	min	I <sub>bin</sub>	0.8	
	max	I <sub>bin</sub>	0.74	
Max number of wires simultaneously connectable	Nr.			2
Conductor section	AWG/Kcmil			
	max			10
Flexible w/o lug conductor section	min	mm <sup>2</sup>	1	
	max	mm <sup>2</sup>	6	
Flexible c/w lug conductor section	min	mm <sup>2</sup>	1	
	max	mm <sup>2</sup>	4	
Flexible with insulated spade lug conductor section	min	mm <sup>2</sup>	1	
	max	mm <sup>2</sup>	4	
Power terminal protection according to IEC/EN 60529				IP20 when properly wired
<b>Mechanical features</b>				
Operating position	normal allowable			Vertical plan ±30°
	Fixing			Screw / DIN rail 35mm

Weight		g	356
Conductor section	AWG/kcmil conductor section		
		max	10
<b>Auxiliary contact characteristics</b>			
Thermal current I <sub>th</sub>		A	10
IEC/EN 60947-5-1 designation			A600 - P600
Operating current AC15			
		230V	A 3
		400V	A 1.9
		500V	A 1.4
Operating current DC12			
		110V	A 5.7
Operating current DC13			
		24V	A 5.7
		48V	A 2.9
		60V	A 2.3
		110V	A 1.25
		125V	A 1.1
		220V	A 0.55
		600V	A 0.2
<b>Operations</b>			
Mechanical life		cycles	20000000
<b>Safety related data</b>			
Performance level B10d according to EN/ISO 13489-1		mechanical load	cycles 20000000
Mirror contacts according to IEC/EN 60947-4-1			YES
EMC compatibility			yes
<b>AC coil operating</b>			
Rated AC voltage at 60Hz		V	460
AC operating voltage			
	of 60Hz coil powered at 60Hz		
	pick-up		
		min %Us	80
		max %Us	110
	drop-out		
		min %Us	20
		max %Us	55
AC average coil consumption at 20°C			
	of 60Hz coil powered at 60Hz		
		in-rush	VA 75
		holding	VA 9
Dissipation at holding ≤20°C 50Hz		W	2.5
<b>Max cycles frequency</b>			
Mechanical operation		cycles/h	3600
<b>Operating times</b>			
Average time for U <sub>s</sub> control			
	in AC		
	Closing NO		
		min ms	8
		max ms	24
	Opening NO		
		min ms	10

Closing NC	max	ms	20
	min	ms	9
Opening NC	max	ms	25
	min	ms	9
	max	ms	15

**UL technical data**

General USE

Auxiliary contacts

AC current A 10

Contact rating of auxiliary contacts according to UL

A600 - P600

**Ambient conditions**

Temperature

Operating temperature

min °C -50  
 max °C 70

Storage temperature

min °C -60  
 max °C 80

Max altitude

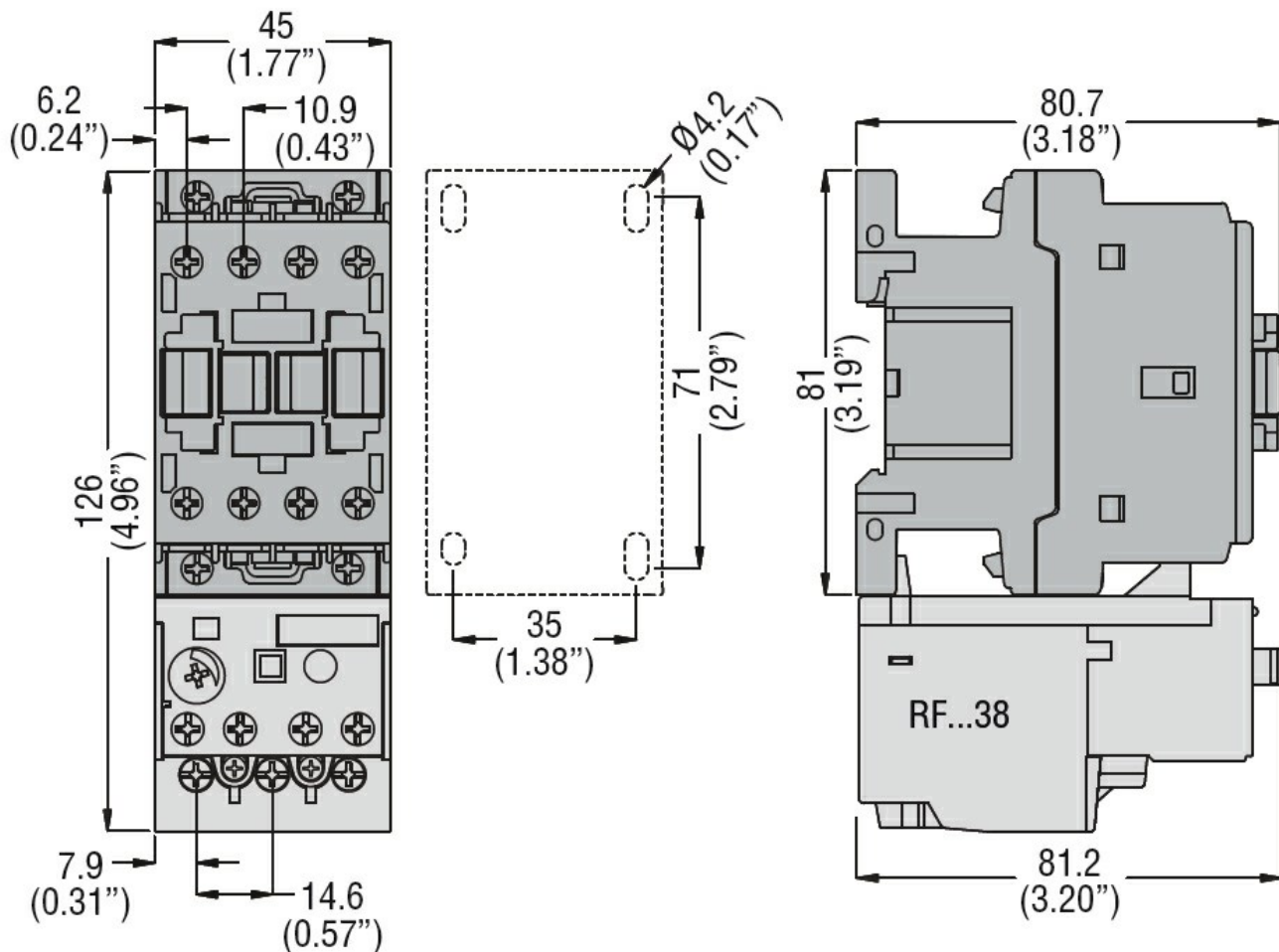
m 3000

**Resistance & Protection**

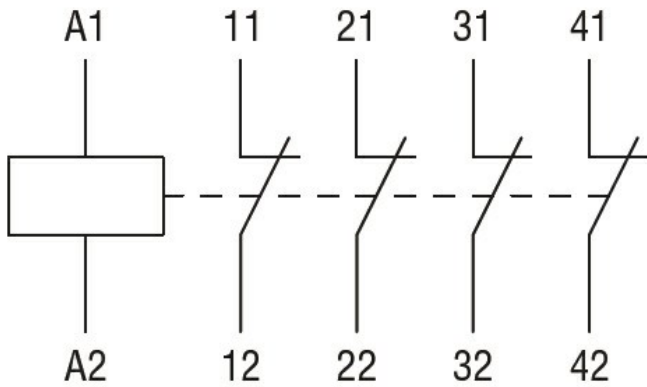
Pollution degree

3

**Dimensions**



**Wiring diagrams**



### Certifications and compliance

#### Compliance

CSA C22.2 n° 60947-1  
 CSA C22.2 n° 60947-5-1  
 IEC/EN 60947-1  
 IEC/EN 60947-5-1  
 UL 60947-1  
 UL 60947-5-1

#### Certificates

CCC  
 cULus  
 EAC

### ETIM classification

ETIM 8.0

EC000196 -  
 Contactor relay