



UPC Code : 078477777961

Country Of Origin : Mexico

RoHS Compliant : Yes



## 4550

15 Amp, 250 Volt, NEMA L6-15R, 2P, 3W, Duplex Locking Receptacle, Industrial Grade, Grounding - BLACK

Leviton's Industrial Grade Locking Devices are built to provide unparalleled quality and superior performance in the most severe industrial settings. Leviton combines the best materials available with superior production standards to produce a broad selection of Locking Devices of unmatched flexibility and dependability.

### Technical Information

AC Horsepower Ratings

**At Rated Voltage** : 1-1/2 HP

Electrical Specifications

**Amperage** : 15 A

**Current Limiting** : Full Rated Current

**Dielectric Voltage** : Withstands 2000V per UL498

**Grounding** : Grounding

**Pole** : 2

**Temperature Rise** : Max 30C after 250 cycles OL at 200 percent rated current

**Voltage** : 250 VAC

**Wire** : 3

Material Specifications

**Body Material** : Nylon

**Color** : Black

**Face Material** : Nylon

**Grounding Screw** : Brass 8-32

**Line Contacts** : Brass .031 Thick

**Strap Material** : Steel

**Terminal Screws** : Brass 10-32

**Yoke** : Zinc-Plated Steel

Mechanical Specifications

**Cord Range** : 0.245 to 0.700

**Screw Terminal Torque** : 14-18 in-lbs

Product Features

**Color** : Black

**Device Type** : Locking Receptacle

**NEMA** : L6-15R

Standards and Certifications

**ANSI** : C-73

**CSA C22.2 No. 42** : File LR-406

**NEMA** : WD-6

**NOM** : 057

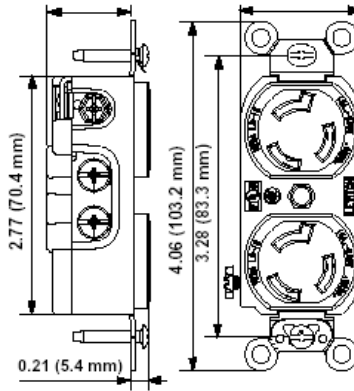
**UL Fed Spec WC-596** : File E13399

**UL498** : File E13399

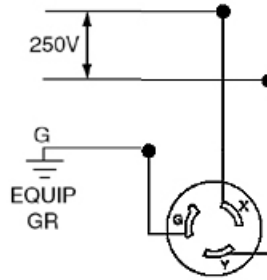
**Warranty** : Limited Lifetime Warranty Warranty

Environmental Specifications

**Environment** : Dry



**Wiring Diagram**



**L6-15R**

**SPECIFICATION SUBMITTAL**

JOB NAME:		CATALOG NUMBERS:	
<input type="text"/>		<input type="text"/>	
JOB NUMBER:			
<input type="text"/>		<input type="text"/>	

**Leviton Manufacturing Co., Inc.**

201 North Service Road, Melville, NY 11747

Telephone: +1-800-323-8920 · FAX: +1-800-832-9538 · Tech Line (8:30AM-7:30PM E.S.T. Monday-Friday):

+1-800-824-3005

**Leviton Manufacturing of Canada, Ltd.**

165 Hymus Boulevard, Pointe Claire, Quebec H9R 1E9 · Telephone: +1-800-469-7890 ·

FAX: +1-800-824-3005 · [www.leviton.com/canada](http://www.leviton.com/canada)

**Leviton S. de R.L. de C.V.**

Lago Tana 43, Mexico DF, Mexico CP 11290 · Tel.: (+52)55-5082-1040 · FAX: (+52)5386-

1797 · [www.leviton.com.mx](http://www.leviton.com.mx)

Visit our Website at: [www.leviton.com](http://www.leviton.com)

© 2021 Leviton Manufacturing Co., Inc. All Rights Reserved. Subject to change without notice.

**Leviton has a global presence.**

If you would like to know where your local Leviton office is located please go to:

[www.leviton.com/international/contacts/](http://www.leviton.com/international/contacts/)

