



UPC Code: 078477066256

Country Of Origin: Mexico

NEMA:
5-15R



60W47

15 Amp, 125 Volt, NEMA 5-15R, 2P, 3W, Flip Lid with Receptacle, Narrow Body Single Receptacle, Straight Blade, Industrial Grade, Grounding, Wetguard Flip Lid, Side Wired, Nickel-Plated Brass Strap, - YELLOW

Leviton's Wetguard line of industrial watertight wiring devices are the most versatile, well-engineered watertight devices on the market. They meet IP67 and NEMA ratings for water ingress protection, and offer many significant advantages over competitive brands.

Technical Information

AC Horsepower Ratings

At Rated Voltage: 1/2 HP

Electrical Specifications

Amperage: 15 A

Current Limiting: Full Rated Current

Dielectric Voltage: Withstands 2000V per UL498

Grounding: Grounding

Pole: 2

Temperature Rise: Max 30C after 250 cycles OL at 200 percent rated current

Voltage: 125 VAC

Wire: 3

Environmental Specifications

Flammability: Rated V-2 per UL 94

Operating Temperature: -40°C to 60°C

Material Specifications

Assembly Screws: Stainless Steel 300

Blades/Contacts: Nickel-Plated Brass

Body Material: Thermoplastic Nylon

Bushing: Santoprene TPV

Clamp Nuts: Nickel-Plated Brass

Color: Yellow

Compression Nut, Strain Relief: Nylon

Face Material: Thermoplastic Nylon

Grounding Screw: Nickel-Plated Brass 8-32

Line Contacts: Nickel-Plated Brass Triple-Wipe

Terminal Screws: Nickel-Plated Brass

UL498: File E13399

Wire Module: Thermoplastic

Yoke: Nickel-Plated Brass

Mechanical Specifications

Cord Range: .375 - .655

Product ID: Ratings and NEMA I.D. permanently marked on device

Terminal Accom.: 18-10 AWG

Terminal ID: Brass-Hot, Green-Ground, Silver-Neutral

Product Features

Body Material: Thermoplastic Nylon

Brand: Wetguard

Color: Yellow

Device Type: Straight Blade Outlet

Face Material: Thermoplastic Nylon

NEMA: 5-15R

Strap Material: Nickel-Plated Brass

Termination: Back

Standards and Certifications

ANSI: C-73

CSA C22.2 No. 42: File LR-406

NEMA: WD-6

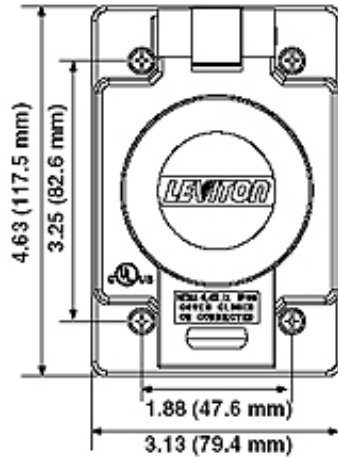
NOM: 057

UL: 498

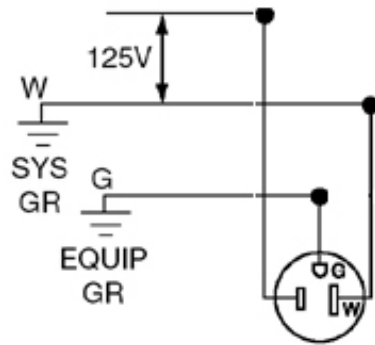
UL Fed Spec WC-596: File E13399

Warranty: Lifetime Warranty

Dimensional Diagram



Wiring Diagram



5-15R

SPECIFICATION SUBMITTAL

JOB NAME:	CATALOG NUMBERS:	
<input type="text"/>	<input type="text"/>	<input type="text"/>
JOB NUMBER:	<input type="text"/>	<input type="text"/>

Leviton Manufacturing Co., Inc.

201 North Service Road, Melville, NY 11747

Telephone: +1-800-323-8920 · FAX: +1-800-832-9538 · Tech Line (8:30AM-7:30PM E.S.T. Monday-Friday):

+1-800-824-3005

Leviton Manufacturing of Canada, Ltd.

165 Hymus Boulevard, Pointe Claire, Quebec H9R 1E9 · Telephone: +1-800-469-7890 ·

FAX: +1-800-824-3005 · www.leviton.com/canada

Leviton S. de R.L. de C.V.

Lago Tana 43, Mexico DF, Mexico CP 11290 · Tel.: (+52)55-5082-1040 · FAX: (+52)5386-

1797 · www.leviton.com.mx

Visit our Website at: www.leviton.com

© 2018 Leviton Manufacturing Co., Inc. All Rights Reserved. Subject to change without notice.

Leviton has a global presence.

If you would like to know where your local Leviton office is located please go to:

www.leviton.com/international/contacts/

