



Color:  Yellow

UPC Code: 078477967751

Country Of Origin: United States

NEMA:
L6-20R



27W48

20 Amp, 250 Volt, NEMA L6-20R, 2P, 3W, Locking Connector, Industrial Grade, Grounding, Wetguard - YELLOW

Leviton's Wetguard products are the most versatile and well-engineered watertight devices on the market. They meet IP67 and NEMA ratings for water ingress protection, and offer many significant advantages over competitive brands.

Technical Information

Electrical Specifications

Amperage: 20 A

Current Limiting: Full Rated Current

Dielectric Voltage: Withstands 2000V per UL498

Grounding: Grounding

Pole: 2

Temperature Rise: Max 30C after 250 cycles OL at 200 percent rated current

Voltage: 250 VAC

Wire: 3

Environmental Specifications

Environment: Wet

Flammability: Rated V-2 per UL 94

Operating Temperature: -40°C to 60°C

Material Specifications

Assembly Screws: Stainless Steel 300

Blades/Contacts: Nickel-Plated Brass

Body Interior: Nylon

Body Material: EPTR Rubber

Bushing: Santoprene TPV

Compression Nut, Strain Relief: Nylon

Terminal Screws: Electroless Nickel-coated Brass

Wire Module: Nylon

Mechanical Specifications

Cord Grip Range (in): 0.375 to 0.875

Product ID: Ratings and NEMA I.D. permanently marked on device

Terminal Accom.: 18-10 AWG

Terminal ID: Brass-Hot, Green-Ground, Silver-Neutral

Product Features

Assembly Screws: Stainless Steel 300

Blades/Contacts: Nickel-Plated Brass

Body Material: EPTR Rubber

Brand: Wetguard

Color: Yellow

Device Type: Locking Connector

NEMA: L6-20R

Standards and Certifications: UL/CSA

Standards and Certifications

ANSI: C-73

CSA C22.2 No. 42: File LR-406

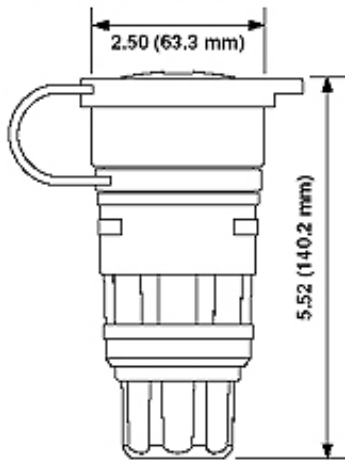
NEMA: WD-6

NOM: 057

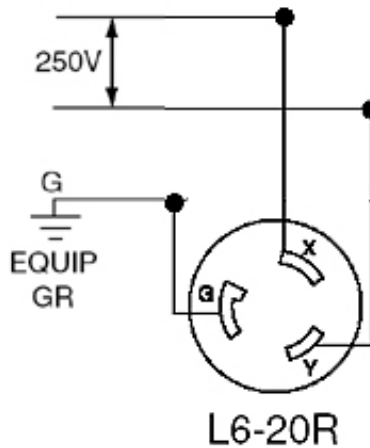
UL: 498

Warranty: Lifetime Warranty

Dimensional Diagram



Wiring Diagram



SPECIFICATION SUBMITTAL

JOB NAME:	CATALOG NUMBERS:	
<input type="text"/>	<input type="text"/>	<input type="text"/>
JOB NUMBER:	<input type="text"/>	<input type="text"/>

Leviton Manufacturing Co., Inc.

201 North Service Road, Melville, NY 11747

Telephone: +1-800-323-8920 · FAX: +1-800-832-9538 · Tech Line (8:30AM-7:30PM E.S.T. Monday-Friday):

+1-800-824-3005

Leviton Manufacturing of Canada, Ltd.

165 Hymus Boulevard, Pointe Claire, Quebec H9R 1E9 · Telephone: +1-800-469-7890 ·

FAX: +1-800-824-3005 · www.leviton.com/canada

Leviton S. de R.L. de C.V.

Lago Tana 43, Mexico DF, Mexico CP 11290 · Tel.: (+52)55-5082-1040 · FAX: (+52)5386-

1797 · www.leviton.com.mx

Visit our Website at: www.leviton.com

© 2018 Leviton Manufacturing Co., Inc. All Rights Reserved. Subject to change without notice.

Leviton has a global presence.

If you would like to know where your local Leviton office is located please go to:

www.leviton.com/international/contacts/

