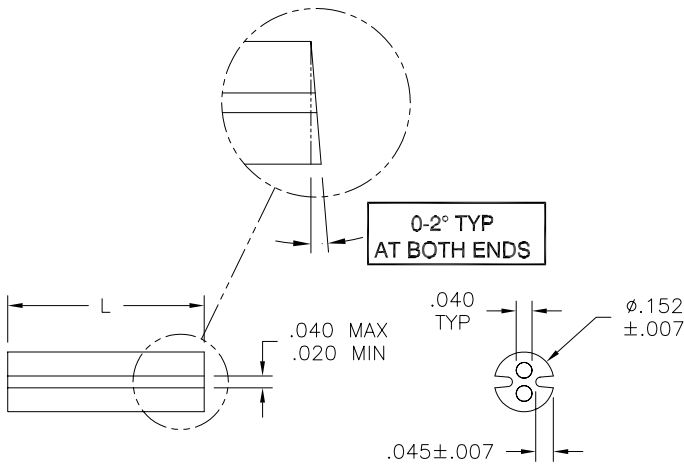
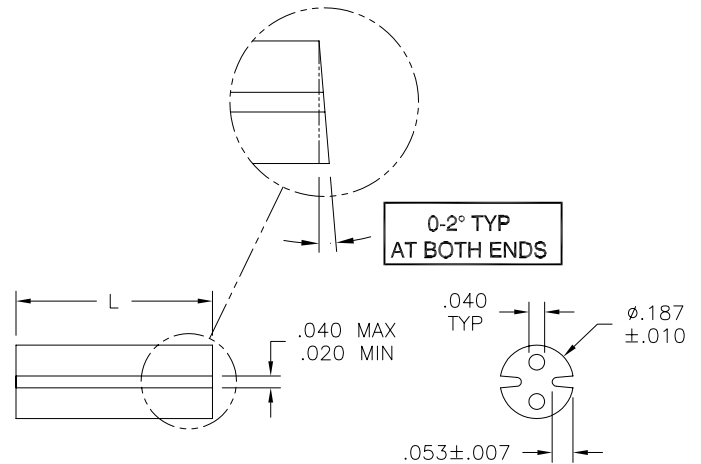


LTR	REVISION	DATE	APPD
K	081314-RTD01: ADDED NOTE#4 & UPDATED DIMENSIONS	08-14-14	GP



SPR120-XXX



SPR200-XXX

TABLE 1

PART NO.		L .XXX ±.015
SPR120-030	SPR200-030	.030
SPR120-060	SPR200-060	.060
SPR120-075	SPR200-075	.075
SPR120-100	SPR200-100	.100
SPR120-120	SPR200-120	.120
SPR120-125	SPR200-125	.125
SPR120-150	SPR200-150	.150
SPR120-180	SPR200-180	.180
SPR120-200	SPR200-200	.200
SPR120-250	SPR200-250	.250
SPR120-275	SPR200-275	.275
SPR120-300	SPR200-300	.300
SPR120-325	SPR200-325	.325
SPR120-350	SPR200-350	.350
SPR120-375	SPR200-375	.375
SPR120-410	SPR200-410	.410
SPR120-425	SPR200-425	.425

PART NO.		L .XXX ±.015
SPR120-435	SPR200-435	.435
SPR120-450	SPR200-450	.450
SPR120-475	SPR200-475	.475
SPR120-500	SPR200-500	.500
SPR120-540	SPR200-540	.540
SPR120-565	SPR200-565	.565
SPR120-575	SPR200-575	.575
SPR120-625	SPR200-625	.625
SPR120-700	SPR200-700	.700
SPR120-750	SPR200-750	.750
SPR120-800	SPR200-800	.800
SPR120-875	SPR200-875	.875
SPR120-1.00	SPR200-1.00	1.000
SPR120-1.125	SPR200-1.125	1.125
SPR120-1.50	SPR200-1.50	1.500



NOTES:

1. MATERIAL: FLEXIBLE PVC
2. COLOR: BLACK
3. TEMPERATURE RANGE IS 0-105° CELSIUS OR 32-221° FARENHEIT.
4. FINAL TEST - INSPECT PARTS FOR BOTH DIAMETER AND LENGTH.

REVISION NOTIFICATION	
<input type="checkbox"/>	DLC
<input type="checkbox"/>	UL/ETL
<input type="checkbox"/>	MADE IN USA
<input type="checkbox"/>	CUSTOMER _____
<input type="checkbox"/>	OTHER



-PROPRIETARY-
 This document contains Proprietary information of LEDTRONICS, INC. It may not be copied, used or disclosed for any purpose without the prior express written consent of LEDTRONICS, INC.

.XXX ± .010 TOLERANCE PER ANSI-Y14.5
 .XX ± .025 (UNLESS OTHERWISE STATED)
 ANGLES ± 0',30'
 FRACT. ± 1/32

TITLE SPACERS SPR120 & SPR200					
DWG NO CMMS0020		SCALE 2:1		SHEET 1 OF 1	
DATE 04-09-96		MFG LD 08-15-14		R&D LUV 08-15-14	
CODE IDENT NO. 8Z410	DWG BY SMA 04-09-96	CHK BY	QA RD 08-15-14	MFG LD 08-15-14	R&D LUV 08-15-14