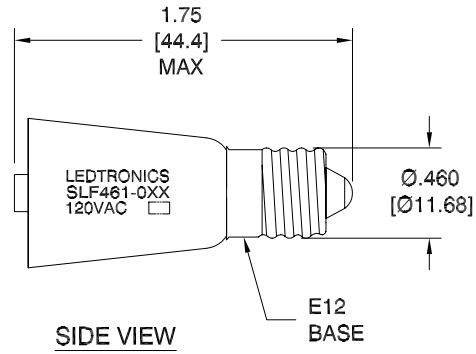
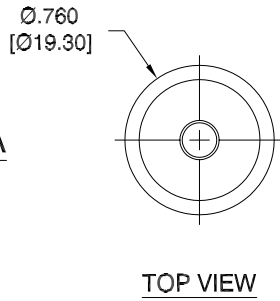
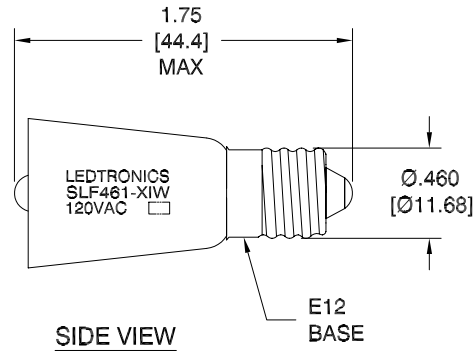
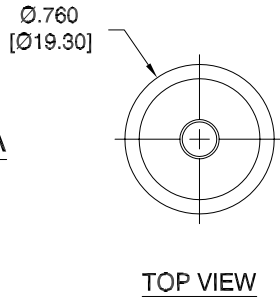


LTR	REVISION	DATE	APPD
-	RELEASED	01-08-13	

SLF461-0XX-120A



SLF461-XIW-120A



NOTES:

1. ALL DIMENSIONS ARE IN INCHES [MILLIMETERS].
2. SLEEVE MATERIAL: RYNITE FR530
3. BASE MATERIAL: BRASS  
NICKEL PLATED BRASS



REVISION NOTIFICATION

<input type="checkbox"/>	PMA
<input type="checkbox"/>	UL/ETL
<input type="checkbox"/>	MADE IN USA
<input type="checkbox"/>	CUSTOMER _____
<input type="checkbox"/>	OTHER

ELECTRO-OPTICAL CHARACTERISTICS

SLF461-0AG-120A	AQUA GREEN	120VAC	0.010 A	0.8-1.2W	0.750 cd	-	-	520	85°
SLF461-0CW-120A	COOL WHITE	120VAC	0.010 A	0.8-1.2W	0.106 cd	68-70	8000K	-	95°
SLF461-0UR-120A	ULTRA RED	120VAC	0.010 A	0.8-1.2W	0.050 cd	-	-	652	80°
SLF461-XIW-120A	WARM WHITE	120VAC	0.010 A	0.8-1.2W	0.550 cd	-	3000K	-	105°
LEDTRONICS PART NO.	COLOR EMITTED	SET VOLTAGE, V	CURRENT (A)	POWER (W)	MAXIMUM CANDELA	CRI	COLOR TEMP. (Kelvin)	λP nm	VIEWING ANGLE (FULL BEAM WIDTH @ 50% INTENSITY)

**LED**<sup>®</sup>  
LEDTRONICS,™ INC.  
23105 KASHIWA COURT  
TORRANCE, CA 90505

**-PROPRIETARY-**  
This document contains Proprietary information of LEDTRONICS, INC. It may not be copied, used or disclosed for any purpose without the prior express written consent of LEDTRONICS, INC.  
TOLERANCE PER ANSI-Y14.5 (UNLESS OTHERWISE STATED)  
.XXX ± .010  
.XX ± .025  
ANGLES ± 0°,30'  
FRACT. ± 1/32

TITLE <b>SLF461-XXX-120A</b>					
DWG NO	SCALE	SHEET	DATE		
SLF461-120VAC	1:1	1 OF 1	01-08-13		
CODE IDENT NO.	DWG BY	CHK BY	QA	MFG	R&D
8Z410	GP 01-08-13	PL 01-08-13			