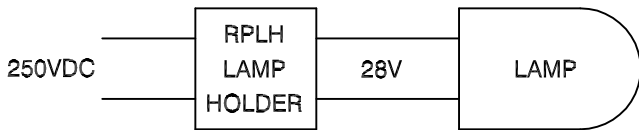


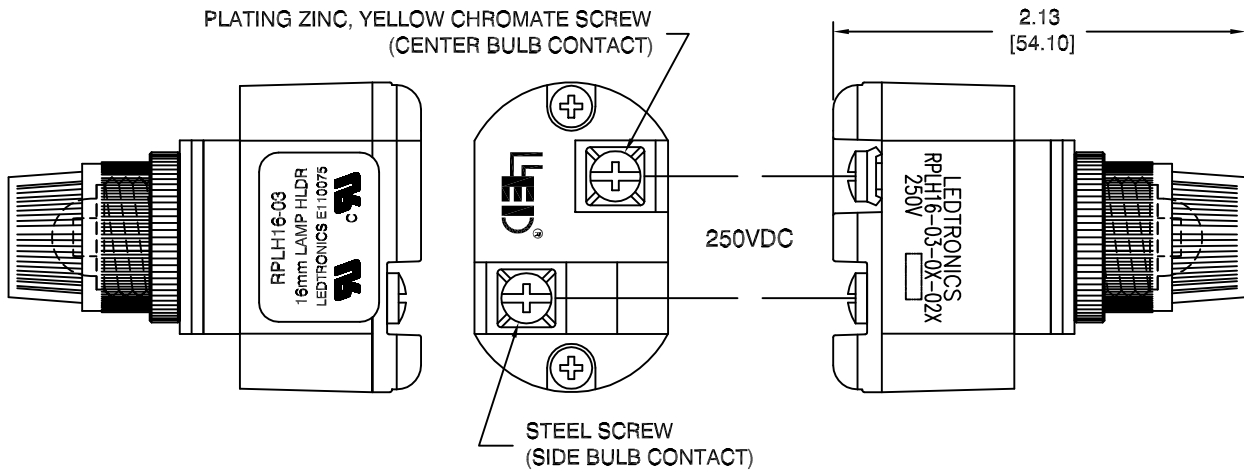
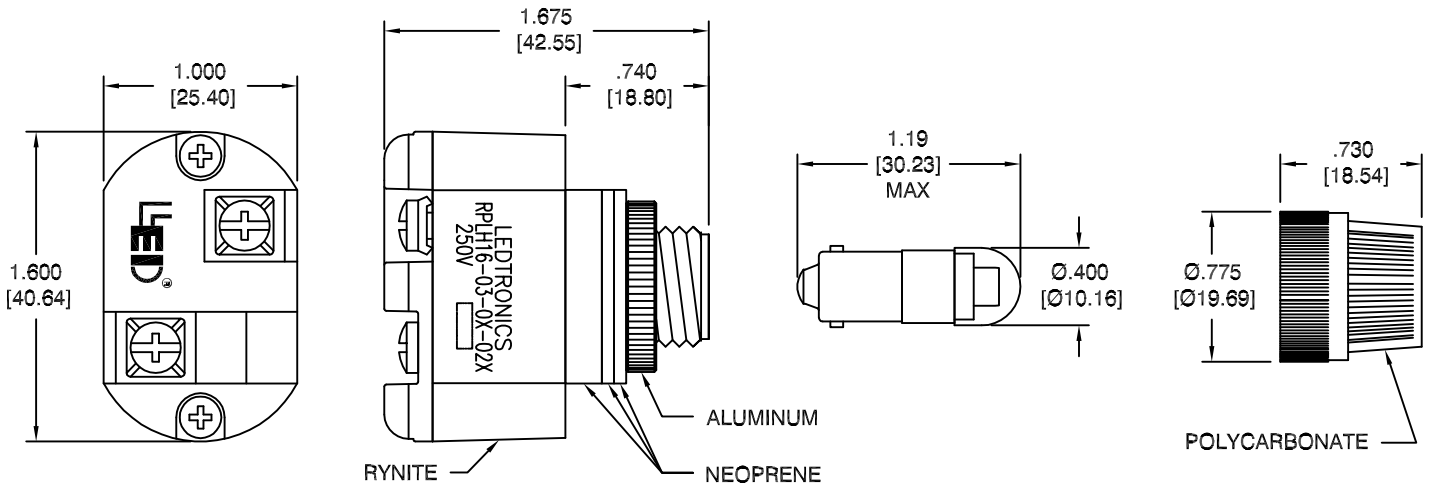
LTR	REVISION	DATE	APPD
F	120722-GZ01: UPDATED LED AND LENS FOR P/N: RPLH16-03-02-02	12-08-22	HF



LAMP HOLDER SERIES - RPLH16-03

LED LAMP SERIES - RPLB-020X

LENS - RPLL16-XXF



RPLH16-03-0X-02X

NOTES:

1. ALL DIMENSIONS ARE IN INCHES [MILLIMETERS].
2. MOUNTING HOLE SIZE: Ø5/8" [Ø16mm]
3. WEIGHT: 0.075 lbs. / 1.2 oz.

ELECTRICAL / OPTICAL CHARACTERISTICS (Ta = 25°C)

RPLH16-03-01-02	250Vdc	0.010 A	-	635	RED	RPLH16-03	RPLB-0201-28V	RPLL16-CRF
RPLH16-03-02-02	250Vdc	0.010 A	-	610	YELLOW	RPLH16-03	RPLB-0204-28V	RPLL16-CYF
RPLH16-03-03-02A	250Vdc	0.010 A	-	595	YELLOW/AMBER	RPLH16-03	RPLB-0204-28V	RPLL16-CAF
RPLH16-03-04-02	250Vdc	0.010 A	-	519	GREEN	RPLH16-03	RPLB-0206-28V	RPLL16-CGF
RPLH16-03-05-02	250Vdc	0.010 A	-	462	BLUE	RPLH16-03	RPLB-0208-28V	RPLL16-CBF
RPLH16-03-06-02	250Vdc	0.010 A	-	8000K	WHITE	RPLH16-03	RPLB-0209-28V	RPLL16-TWF
RPLH16-03-07-02	250Vdc	0.010 A	-	8000K	CLEAR	RPLH16-03	RPLB-0210-28V	RPLL16-CWF
LEDTRONICS PART NO.	INPUT VOLTAGE, V	CURRENT (A)	POWER (W)	λ_p nm COLOR TEMP. (K)	COLOR EMITTED	LAMP HOLDER PART NO.	LED LAMP PART NO.	LENS PART NO.



LED[®]
LEDTRONICS,™ INC.
23105 KASHIWA COURT
TORRANCE, CA 90505

-PROPRIETARY-
This document contains Proprietary information of LEDTRONICS, INC. It may not be copied, used or disclosed for any purpose without the prior express written consent of LEDTRONICS, INC.
TOLERANCE PER ANSI-Y14.5 (UNLESS OTHERWISE STATED)
.XXX ± .010
.XX ± .025
ANGLES ± 0°,30'
FRACT. ± 1/32

TITLE							
RPLH16-03-0X-02X							
DWG NO	SCALE	SHEET	DATE				
H1602004-INT	1:1	1 OF 1	03-29-11				
CODE IDENT NO.	DWG BY	CHK BY	QA	MFG	R&D		
8Z410	03-29-11		LUV 12-13-22	LD 12-13-22	UF 12-13-22		