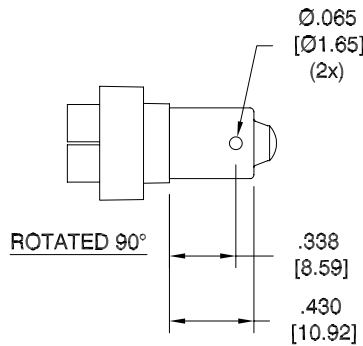
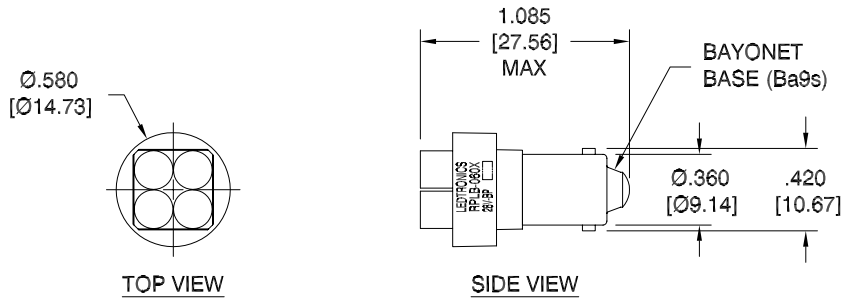


LTR	REVISION	DATE	APPD
-	RELEASED	05-22-17	



NOTES:

1. ALL DIMENSIONS ARE IN INCHES [MILLIMETERS].
2. SLEEVE MATERIAL: RYNITE FR530
3. BASE MATERIAL: SHELL (BODY) IS MADE FROM BRASS WITH NICKEL-PLATED (BARREL)
4. OPERATING TEMPERATURE: ~-30°C to ~+50°C



REVISION NOTIFICATION	
<input type="checkbox"/> DLC	
<input type="checkbox"/> UL/ETL	
<input type="checkbox"/> MADE IN USA	
<input type="checkbox"/> CUSTOMER _____	
<input type="checkbox"/> OTHER	
REDLINE CHECKLIST	
<input type="checkbox"/> REDLINE(YES)	
<input type="checkbox"/> DATE: _____	
<input type="checkbox"/> INITIATED BY: _____	
<input type="checkbox"/> ECR REQUIRED YES <input type="checkbox"/> NO <input type="checkbox"/>	
<input type="checkbox"/> WORK ORDER# _____	

ELECTRICAL / OPTICAL CHARACTERISTICS (Ta = 25°C)

RPLB-0601-28V	ULTRA RED	28Vdc	0.56W	0.020 A	0.460cd	650	95°	BipolarDC
RPLB-0606-28V	AQUA GREEN	28Vdc	0.42W	0.007 A	1.600cd	520	80°	BipolarDC
RPLB-0608-28V	SUPER BLUE	28Vdc	0.42W	0.015 A	-	465	85°	BipolarDC
RPLB-0609-28V	COOL WHITE	28Vdc	0.42W	0.015 A	3.300cd	8000K	90°	BipolarDC
LEDTRONICS PART NO.	COLOR EMITTED	INPUT VOLTAGE, V	POWER (W)	CURRENT (A)	MAXIMUM CANDELA	λ P nm COLOR TEMP. (K)	VIEWING ANGLE (FULL BEAM WIDTH @ 50% INTENSITY)	CENTER CONTACT POLARITY



-PROPRIETARY-
 This document contains Proprietary information of LEDTRONICS, INC. It may not be copied, used or disclosed for any purpose without the prior express written consent of LEDTRONICS, INC.

.XXX ± .010 TOLERANCE PER ANSI-Y14.5
 .XX ± .025 (UNLESS OTHERWISE STATED)
 ANGLES ± 0°,30'
 FRACT. ± 1/32

TITLE					
RPLB-060X-28V					
DWG NO	SCALE	SHEET	DATE		
RPLB06-28V-BP	1:1	1 OF 1	05-22-17		
CODE IDENT NO.	DWG BY	CHK BY	QA	MFG	R&D
8Z410	GP		EE	LD	LUV
	05-22-17		05-23-17	05-22-17	05-22-17