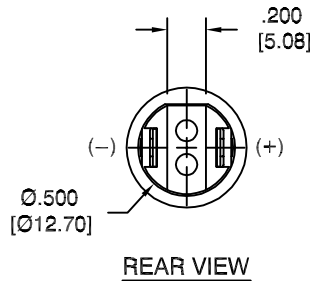
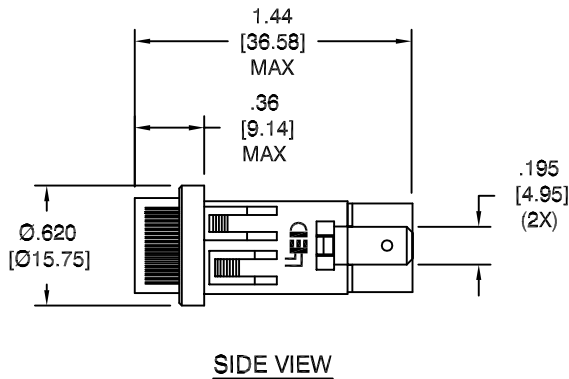
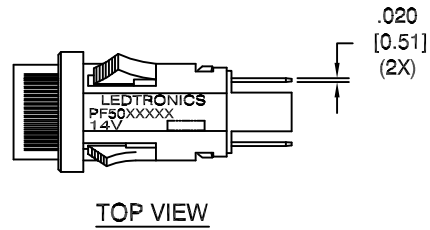
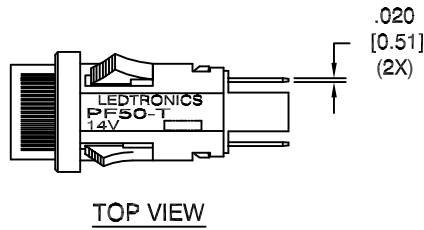


| LTR | REVISION | DATE | APPD |
|-----|--------------------------------------|----------|------|
| B | 092222-HF01: ADDED ALTERNATE MARKING | 09-26-22 | HF |

ALTERNATE MARKING (#4)



NOTES:

1. ALL DIMENSIONS ARE IN INCHES [MILLIMETERS].
2. MOUNTING DIAMETER: Ø1/2" (12.7mm)
3. LENS MATERIAL: POLYCARBONATE (PC) (UL 94V-2)
4. SLEEVE MATERIAL / COLOR: NYLON 66 (UL94V-1 MIN / UL94V-0 PREF) / BLACK
5. HEADER MATERIAL / COLOR: NYLON 66 (UL94V-1 MIN / UL94V-0 PREF) / BLACK
6. TERMINAL MATERIAL: BRASS S.A.E. CA 360, FEDERAL QQ-B-626 ALLOY 360
FINISH: TIN PLATE MIL-T-10727 TYPE I, DULL FINISH, .0001-.00025 THICK.

| REVISION NOTIFICATION | |
|--------------------------|---|
| <input type="checkbox"/> | DLC |
| <input type="checkbox"/> | UL/ETL |
| <input type="checkbox"/> | MADE IN USA |
| <input type="checkbox"/> | CUSTOMER _____ |
| <input type="checkbox"/> | OTHER |
| REDLINE CHECKLIST | |
| <input type="checkbox"/> | REDLINE(YES) |
| <input type="checkbox"/> | DATE: _____ |
| <input type="checkbox"/> | INITIATED BY: _____ |
| <input type="checkbox"/> | ECR REQUIRED YES <input type="checkbox"/> NO <input type="checkbox"/> |
| <input type="checkbox"/> | WORK ORDER# _____ |

ELECTRICAL-OPTICAL CHARACTERISTICS (Ta = 25°C)

| 1 | PF50-0AG-014V-T | - | AQUA GREEN | 12/14Vdc(@14Vdc) | 0.010-0.015 A | - | 520 | 180° |
|-----|---------------------|----------------------|---------------|------------------|---------------|-----------------|-------|---|
| 2 | PF50-0UR-014V-T | - | ULTRA RED | 12/14Vdc(@14Vdc) | 0.015-0.020 A | 0.900cd | 652 | 180° |
| 3 | PF50-0UY-014V-T | - | SUPER YELLOW | 12/14Vdc(@14Vdc) | 0.015-0.020 A | - | 595 | 180° |
| 4 | PF50CG5-14V-T | PF50CG5-14V/20-B/T1 | HI-EFF GREEN | 12/14Vdc(@14Vdc) | 0.015-0.020 A | - | 563 | 180° |
| NO. | LEDTRONICS PART NO. | DESCRIPTION PART NO. | COLOR EMITTED | INPUT VOLTAGE, V | CURRENT (A) | MAXIMUM CANDELA | λP nm | VIEWING ANGLE (FULL BEAM WIDTH @ 50% INTENSITY) |

| | | | | | | | | |
|--|---|-------------------------------|---|---------------------------|---------------------------|--------------------------------|--|--|
| LEDTRONICS,™ INC. 23105 KASHIWA COURT TORRANCE, CA 90505 | -PROPRIETARY- This document contains Proprietary Information of LEDTRONICS, INC. It may not be copied, used or disclosed for any purpose without the prior express written consent of LEDTRONICS, INC. | | TITLE PF50-0XX-014V-T PF50CXX-14V-T | | | | | |
| | .XXX ± .010 TOLERANCE PER ANSI-Y14.5 .XX ± .025 (UNLESS OTHERWISE STATED) ANGLES ± 0°,30' FRACT. ± 1/32 | DWG NO PF50-14VDC-T | SCALE 1:1 | SHEET 1 OF 1 | DATE 07-03-12 | | | |
| | CODE IDENT NO. 8Z410 | DWG BY GP 07-03-12 | CHK BY | QA LUV 09-29-22 | MFG LD 09-30-22 | R&D LUV 09-29-22 | | |