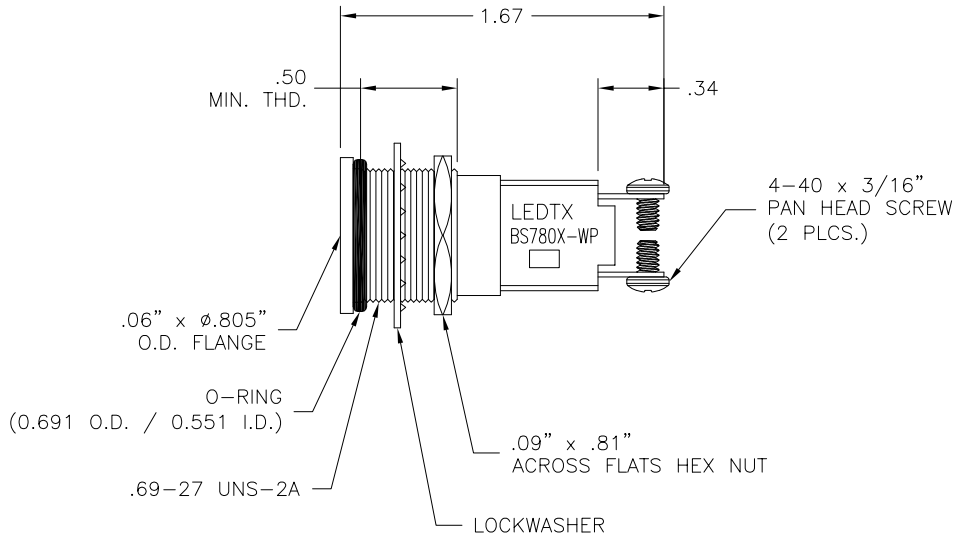


LTR	REVISION	DATE	APPD
D	022318-EE01: ADDED -WP TO THE MARKING	02-28-18	MM



SPLASHPROOF HOLDER
 11/16" RECOMMENDED MOUNTING CLEARANCE HOLE

PART NO.: BS780S-WP (SILVER BEZEL, SCREW TERM.)
 BS780BS-WP (BLACK BEZEL, SCREW TERM.)



HOLDER MATERIALS

BODY	BRASS - POLISHED CHROME OR WITH NICKEL FINISH
HEX NUT	BRASS - POLISHED CHROME OR WITH NICKEL FINISH
O-RING	EPDM rubber - BLACK
LOCK WASHER	BRONZE - WHITE NICKEL FINISH
SOLDER TERM.	BRASS - HOT TINNED
WEIGHT	0.04 LB

REVISION NOTIFICATION	
<input type="checkbox"/>	DLC
<input type="checkbox"/>	UL/ETL
<input type="checkbox"/>	MADE IN USA
<input type="checkbox"/>	CUSTOMER _____
<input type="checkbox"/>	OTHER
REDLINE CHECKLIST	
<input type="checkbox"/>	REDLINE(YES)
<input type="checkbox"/>	DATE: _____
<input type="checkbox"/>	INITIATED BY: _____
<input type="checkbox"/>	ECR REQUIRED YES <input type="checkbox"/> NO <input type="checkbox"/>
<input type="checkbox"/>	WORK ORDER# _____

LED[®]
LEDTRONICS,™ INC.
 23105 KASHIWA COURT
 TORRANCE, CA 90505

-PROPRIETARY-
 This document contains Proprietary information of LEDTRONICS, INC. It may not be copied, used or disclosed for any purpose without the prior express written consent of LEDTRONICS, INC.

.XXX ± .010 TOLERANCE PER ANSI-Y14.5
 .XX ± .025 (UNLESS OTHERWISE STATED)
 ANGLES ± 0°,30'
 FRACT. ± 1/32

TITLE					
HLDR-BS780S-WP HLDR-BS780BS-WP					
DWG NO	SCALE	SHEET	DATE		
CMHD0136-CUST	1:1	1 OF 1	10-01-08		
CODE IDENT NO.	DWG BY GP	CHK BY	QA EE	MFG LD	R&D LUV
8Z410	10-01-08		02-28-18	02-28-18	02-28-18